

fireline™
S T O V E S



Woodtec Stove Range
Charlton & Jenrick^{LTD}
Best of British fires, fireplaces & stoves

Fireline Woodtec Stove Range

Unashamedly accentuating the delightful wood fire at its heart, refined and elegant design combines with powerful SIA Ecodesign Ready performance to deliver Woodtec's unique and compelling allure.

Clean lines of the exquisitely profiled cast iron door and strong seam welded steel firebox blend flawlessly into a multitude of fireplace and interior scenes. Cutting-edge patented biomass combustion technology is ingeniously integrated into a captivating paradigm of warm ambience created by fire.

Easy to operate with a technically advanced single air control and powerful air wash, each of the three wood burning models can be personalised with optional stand, log store and black or oak handles. For total peace of mind all models are SIA Ecodesign Ready certified, DEFRA exempt for smoke control areas, HETAS approved, CE marked to harmonised standards and manufactured under ISO9001 and ISO14000 systems.

Choose only the best with Woodtec stoves from Fireline.



Woodtec 5 stove with stand



Key Features

- SIA Ecodesign Ready 2022 certified
 - ultra clean burning
- Extra high-quality, long-lasting, cast ceramic firebox liners
- Super clean design lines
- Powerful air wash system
- Minimum 70mm rear clearance to combustibles*
- Minimum 50mm clearance to non-combustibles
- 80% plus efficiencies
- Slimline fireboxes as standard < 12" deep
- Top flue centre 77mm from back panel
- Top and rear flue outlet connections
- Single stainless-steel air control lever
- High-quality cast iron doors
- External Air Kit supplying 100% air available
- DEFRA exempt for burning wood in smokeless zones



Super sized windows



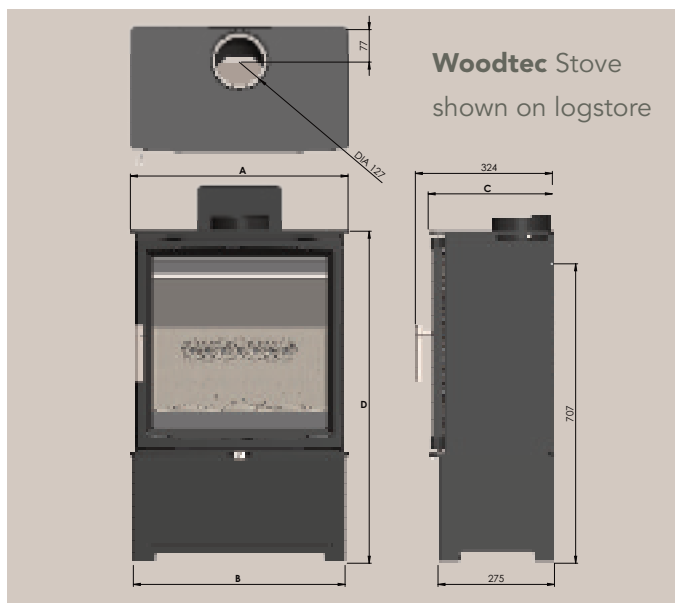
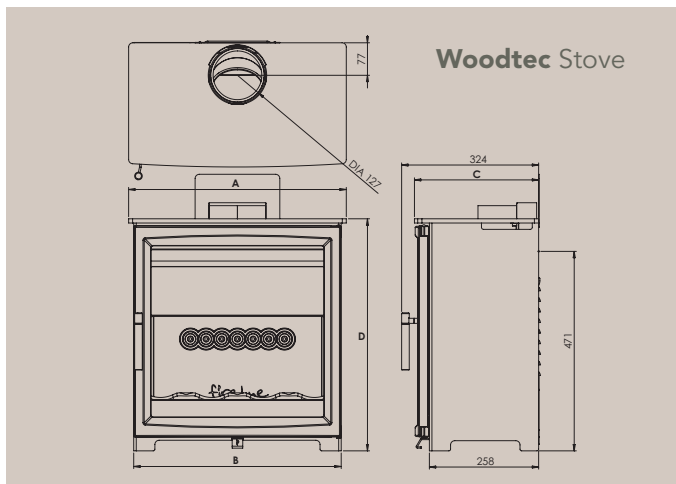
Woodtec 5XW on log store

- Super wide fire beds
- 12mm superimposed hearth compatible
- 5" flue connections for convenience and flexibility
- Slim 12" max depth
- Adjustable feet for uneven hearths
- Stainless-steel door lever
- Cool touch stainless-steel handle
- New optional black or oak handle
- Solid stainless-steel operating tool provided
- Patented tertiary air system
- High-quality stove gloves provided
- Stainless-steel ash rake provided
- Unique optional ash solution available for instant firebox preparation
- Standard, Wide and Xtra Wide models

*Minimum rear clearances from combustibles achieved using twin wall flue pipe from the top of the stove plus heatshields provided.

Fireline Woodtec Stove

Dimensions and Specifications



Dimensions (mm)	A	B	C	D
Woodtec 5	414	390	290	548
Woodtec 5W	514	490	293	548
Woodtec 5XW	564	540	295	548
Woodtec 5 on Stand	414	400	290	624
Woodtec 5W on Stand	514	500	293	624
Woodtec 5XW on Stand	564	550	295	624
Woodtec 5 on Logstore	414	400	290	784
Woodtec 5W on Logstore	514	500	293	784
Woodtec 5XW on Logstore	564	550	295	784

Output Efficiency Ratings	Efficiency	EEI	Nominal Output	Typical Range
Woodtec 5	81.1%	A+	5kW	3.5 -6.9kW
Woodtec 5W	80.2%	A+	5kW	3.8-7.0kW
Woodtec 5XW	81.2%	A+	5kW	3.7-8.0kW

Charlton & Jenrick LTD

Best of British fires, fireplaces & stoves



Fireline
 Charlton & Jenrick Ltd, Unit D,
 Stafford Park 2, Telford, Shropshire TF3 3AR
 Tel: 0845 519 5991
 e-mail: sales@charltonandjenrick.co.uk



www.charltonandjenrick.co.uk



www.facebook.com/cJfires

