



## Warmth. Good reasons to choose Olsberg.

It all began with fire - since the dawn of humanity, fire provided both a cooking zone and a source of heat for mankind for a very long time and was therefore the centre of social life. People still find fire incredibly fascinating today, although its function is no longer restricted to the provision of heat. The company Olsberg has always been associated with fire and is both a pioneer and designer in the field of heating technology. Established over 440 years ago, our company is one of the oldest family-run businesses in Germany. Nevertheless, we see our long tradition not so much as a measure of worth, but as an incentive and an obligation to continuously improve - as you can see from our tag line: innovative.since 1577. With dedication, experience and creativity, our team has been continuously developing chimney stoves for many years. After all, what better feeling than to get home, shut the world outside and get cosy in front of a crackling fire? For every home - there are good reasons to choose Olsberg. We offer a wide range of chimney and pellet stoves to suit every requirement, taste, style and space. So you can enjoy what the name Olsberg promises, day in, day out: maximum comfort with modern fireplace convenience based on innovative, efficient and environment-friendly cutting-edge technology.

Browse the following pages and be inspired!







# Content



## Chimney stoves

Seite: 4-57



ALEGRE Compact  
ALEGRE POWERBLOC!  
Compact 04



ARACAR  
Compact 06



OSORNO S 20



OSORNO L 22



PACAYA Compact  
PACAYA PLUS Compact 24



SOTARA  
Compact 40



TACORA  
Compact 42



TECAPA II  
Compact 44



## Water-carrying chimney stoves

Seite: 58-63



NEVADO AQUA  
Compact 60



TOLIMA AQUA II  
Compact 62

## Olsberg: Technology Page: 72-85



Compact door closure /  
ambient air independent



Ventilated  
door handle



Ready for OEC  
(accessory)



Ready for OEC II  
(accessory)



CALDERA II Compact 08



IPALA Compact 10



IPALA SMART Compact 12



IRIGA Compact 14



NUEVO 16



OSORNO 18



PALENA Compact 28



PALENA POWER-BLOC! Compact 30



PALENA PLUS SD Compact 32



PETACAS Compact 34



PULAR Compact 36



PULAR PLUS Compact 38



PULAR PBI Compact 38



TENORIO POWER-SYSTEM Compact 46



TIPAS Compact 48



TIPAS PLUS Compact 50



TIPAS POWERBLOC! Compact 52



TOLIMA POWER-SYSTEM II Compact 54



TURIA LINA Compact 56



### Pellet Stoves Page: 64-71



ARINA 66



INARA 68



LEVANA LEVANA AQUA 70



Ready for OEC SMART1 (accessory)



Heat storer (accessory)



Modular system



Swirl combustion chamber



Rotating (accessory)



Seasonal spark protection plate



Water systems



Change-over damper



Integrated subsidiary air unit

# ALEGRE Compact

The original classic tiled stove for a charming and welcoming atmosphere

Just so cosy and inviting: our ALEGRE COMPACT and ALGERE POWERBLOC! COMPACT suits every room, be it baroque or chalet style. The secret is surprisingly simple: the large glass window on the front of the stove makes you feel like the comforting warmth is coming directly from an open fireplace. The ALGERE is very well equipped when it comes to technology too: never again will you be stressing about removing the ashes because the bottom section on the front pulls out like a drawer.

Still not enough? Well there's more: you can add a bench and wood stores to create a beautiful seating area around your ALGERE.



Ceramic latte



Alegre Compact  
Ceramic snow-white

Alegre PowerBloc!  
Compact

## OVERVIEW

	ALEGRE COMPACT	ALEGRE POWERBLOC! COMPACT
Dimensions (H/W/D in mm):	<b>1351/648/442</b>	<b>1793/648/442</b>
Nominal heating capacity:	<b>5 kW</b>	<b>5 kW</b>
Power range:	<b>3 – 7 kW</b>	<b>3 – 7 kW</b>
Energy efficiency class:	<b>A+</b>	<b>A+</b>

## WEIGHT

with ceramic cladding:	<b>270 kg</b>	<b>335 kg</b>
PowerBloc!:	-	<b>+80 kg</b>

## PRODUCT BENEFITS



Compact door  
closure / ambient  
air independent

Ventilated  
door handle

Ready for OEC  
(accessory)

Ready for  
OEC Smart1  
(accessory)

Heat storer  
(accessory)

Modular system

Swirl  
combustion  
chamber

According to DIN-EN 13229 and DIN-EN 13240



Alegre PowerBloc! Compact Ceramic snow-white





# ARACAR Compact



Perfect fit and individual design

Simple construction characterises the ARACAR family! With the ARACAR COMPACT, there's no need to worry about your assembly skills falling short - its construction is as simple as its design: with prefabricated cladding, this chimney stove will fit perfectly in your living environment. Should your interior design style change, that's not a problem either: the surface of the ARACAR COMPACT stove can be customised with various materials, including glass, tiles and plaster. And if, in addition to design, you value technical sophistication: you will love the flush mounting and corner glazing as well as the safe and convenient locking technology on the door with stainless steel handle. We can supply our ARACAR with the door hinge on the left or right.



individual design

## OVERVIEW

Dimensions (H/W/D in mm):	1762/605/660
Nominal heating capacity:	5 kW
Power range:	3 – 7 kW
Energy efficiency class:	A

## WEIGHT

with steel cladding:	200 kg
----------------------	--------

## PRODUCT BENEFITS



Compact door closure / ambient air independent



Ventilated door handle



Ready for OEC (accessory)



Ready for OEC Smart1 (accessory)



Modular system



Swirl combustion chamber

According to DIN-EN 13229 and DIN-EN 13240

# CALDERA II Compact

When it's freezing cold, dream of the sunny South

Our Caldera II Compact radiates comforting warmth. Amaze your friends with its beautiful design. The "Big Stone" version of the CALDERA II COMPACT features impressive solid stone cladding. Not only does this make the stove a real gem to look at, but it stores the heat for much longer too. Extra-special technical features include the patented, self-closing door - making this stove suitable for ambient air-independent operation - and the ventilated CALDERA II door handle. A real eye-catcher: watch the soothing, roaring fire through the rounded panoramic window.



Ceramic snow-white



Ceramic cafe latte



Natural stone Serpentin



Caldera II Compact Steel



Caldera II Compact SandStone BigStone

## OVERVIEW

	CALDERA II COMPACT	CALDERA II COMPACT BIGSTONE
Dimensions (H/W/D in mm):	1307/568/471	1305/637/470
Nominal heating capacity:	6 kW	6 kW
Power range:	3 – 8 kW	3 – 7 kW
Energy efficiency class:	A+	A+

## WEIGHT

with steel cladding:	164 kg	-
with ceramic cladding:	194 kg	-
with natural stone cladding:	224 kg	330 kg

## PRODUCT BENEFITS



Compact door closure / ambient air independent



Ventilated door handle



Ready for OEC (accessory)



Ready for OEC Smart1 (accessory)





Caldera II Compact SandStone BigStone



**Ipala Compact (door opens to the left),with accessories**



# IPALA Compact



Clear edges, no gimmicks

The puristic design of the IPALA COMPACT is a pleasure to behold even when the warming flames are not on. Impress your guests with the combination of elegant steel and classic black. The large panoramic corner window lets you watch the fire from two sides. You can have the door hinged on the right or the left. Its patented, low-wear door locking system, innovative ventilation and adjustable grate make the IPALA COMPACT a little technical wonder. Needless to say, this stove is an environment-friendly source of heat. See for yourself: there's no better way to enjoy the flickering flames.



Ipala Compact with timber storage

Ipala Compact door opens to the left

Ipala Compact with heat storer module

OVERVIEW	IPALA COMPACT	IPALA COMPACT HEAT-STORAGE STONES
Dimensions (H/W/D in mm):	<b>1302/440/440</b>	<b>1740/440/440</b>
Nominal heating capacity:	<b>5 kW</b>	<b>5 kW</b>
Power range:	<b>3 – 6 kW</b>	<b>3 – 6 kW</b>
Energy efficiency class:	<b>A+</b>	<b>A+</b>

WEIGHT	IPALA COMPACT	IPALA COMPACT HEAT-STORAGE STONES
with steel cladding:	<b>170 kg</b>	<b>170 kg</b>
Heat storer stone:	-	<b>+60 kg</b>

## PRODUCT BENEFITS



Compact door closure / ambient air independent

Ventilated door handle

Ready for OEC (accessory)

Ready for OEC Smart1 (accessory)

Heat storer (accessory)

Modular system

Swirl combustion chamber

# IPALA SMART Compact

Glance around your living space  
What would the perfect chimney stove look like?

One look at our IPALA SMART COMPACT – and suddenly your high expectations on both function and design are met. This chimney stove comes in a minimalistic design with clean lines. And the concept is carried through to the functionality of the IPALA SMART COMPACT. You'll be left in no doubt that steel and glass create the ideal frame for a roaring fire. The door can be hinged to the left or right and features corner glazing, offering a perfect view of the blazing flames in the stove's combustion chamber. Here too the name OLSBERG is a byword for clean, environment-friendly and modern combustion technology.



Ipala Smart Compact with steel door, heat storer module and timber storage (door opens to the right)

Ipala Smart Compact with glass door (door opens to the right)

Ipala Smart Compact with steel door and heat storer module (door opens to the right)

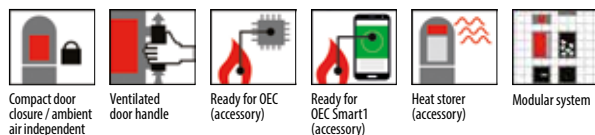
## OVERVIEW

	IPALA SMART COMPACT	IPALA SMART POWERBLOC! COMPACT
Dimensions (H/W/D in mm):	<b>1418/425/425</b>	<b>1759/425/425</b>
Nominal heating capacity:	<b>5 kW</b>	<b>5 kW</b>
Power range:	<b>3 – 6 kW</b>	<b>3 – 6 kW</b>
Energy efficiency class:	<b>A+</b>	<b>A+</b>

## WEIGHT

with steel cladding:	<b>170 kg</b>	<b>170kg</b>
Heat storer stone:	-	<b>+60 kg</b>

## PRODUCT BENEFITS



Compact door closure / ambient air independent  
Ventilated door handle  
Ready for OEC (accessory)  
Ready for OEC Smart1 (accessory)  
Heat storer (accessory)  
Modular system





**Ipala Smart Compact with glass door and timber storage (door opens to the left)**







# IRIGA Compact



An oasis of tranquillity

What makes the IRIGA COMPACT chimney stove different is the perfect unison between material, design and function. A harmony that is quite naturally transferred to you and your guests. Last, but not least, are the brilliant technical and design details that help create an atmosphere of well-being. Thanks to the corner glazing on the door, you can watch the blazing flames from two sides. Our IRIGA COMPACT makes everything easy for you: the ergonomic, stainless steel control elements guarantee safe re-filling and easy operation. Hidden from the outside is the swirl combustion chamber that ensures optimum utilisation of post-combustion and reduces emissions. Love at first sight!



Ceramic cover  
caffè americano  
(accessory)



Ceramic cover  
snow-white  
(accessory)



Natural stone  
Serpentine cover  
(accessory)

## OVERVIEW

Dimensions (H/W/D in mm):	1300/560/410
Nominal heating capacity:	5 kW
Power range:	3 – 7 kW
Energy efficiency class:	<b>A+</b>

## WEIGHT

with steel cladding:	175 kg
with ceramic cover:	180 kg
with natural stone cover:	208 kg

## PRODUCT BENEFITS



Compact door  
closure / ambient  
air independent



Ventilated  
door handle



Ready for OEC  
(accessory)



Ready for OEC Smart1  
(accessory)



Swirl  
combustion  
chamber



Nuevo natural stone Serpentin



# NUEVO



A chimney stove that creates an atmosphere

The NUEVO is a real stroke of genius from the designers. This stove produces a really special romantic atmosphere in your living environment. It's worth taking a closer look at the NUEVO: its unusual shape works perfectly with the large panoramic window. For the cladding, you can choose between natural stone and painted black steel. The combustion chamber is lined with extremely stable and durable fireclay. The door handle is ventilated to prevent it heating up while the stove is burning. There is an adjustable grate to supply additional air to the combustion chamber. This helps the NUEVO reach operating temperature quickly and keep the window free of soot.



Nuevo Steel

## OVERVIEW

Dimensions (H/W/D in mm):	<b>1091/460/437</b>
Nominal heating capacity:	<b>5 kW</b>
Power range:	<b>3 – 7 kW</b>
Energy efficiency class:	<b>A</b>

## WEIGHT

with steel cladding:	<b>132 kg</b>
with natural stone cladding:	<b>214 kg</b>

## PRODUCT BENEFITS



Ventilated door handle



Ready for OEC (accessory)



Ready for OEC Smart1 (accessory)

# OSORNO

The self-assembly chimney stove with heating comfort from master craftsmen

Because ideas of heating comfort and well-being vary so greatly, we decided to develop our OSORNO stove. The OSORNO self-assembly stove goes a long way to meeting your individual requirements: there is a fireplace insert featuring a push-up door with glass panes on 3 sides so the fire can be viewed from all angles. There is also the option of arranging the heat-storage stones in the upper area. Even when the fire has gone out, the PowerBloc! continues to radiate heat for a long time so you can sit with your friends for longer. You can even burn larger logs in the wide, fireclay combustion chamber. We should also mention that this variable stove concept is perfectly rounded off with a self-closing door. Build your living environment around your chimney stove - and prepare to be amazed! Add Olsberg wood stores and bench to transform your Osorno into a veritable heating landscape.

**i** Tip: See also special brochure Osorno TopStone



Steel black



Osorno limestone vrata

## OVERVIEW

Dimensions (H/W/D in mm):	1749/770/500
Nominal heating capacity:	8 kW
Power range:	6 – 10 kW
Energy efficiency class:	<b>A+</b>

## WEIGHT

with steel cladding:	285 kg
with natural stone cladding:	380 kg
PowerBloc!:	+100 kg

## PRODUCT BENEFITS



Heat storer (accessory)



Modular system



Seasonal spark protection plate

According to DIN-EN 13229 and DIN-EN 13240



Osorno Natural stone Serpentine



MOTORCYCLE  
PARKING ONLY  
←

THE GUCK RIDER  
OPPO

# OSORNO S

Stove comfort in a self-assembly format  
Individuality is key

Ideally, a chimney stove would tick all the boxes the user has regarding the technical and visual details. Fulfilling the practical requirements needed to do just that is a fundamental, yet challenging part of our philosophy. This ambitious way of thinking is best reflected in our OSORNO S. Smaller in size than its "big" brother, the OSORNO, but big on versatility - that's the OSORNO S. With its compact design, the OSORNO S provides a wealth of options for building your dream stove. You can choose between various claddings, including steel and natural stone. Plus, you can take advantage of the PowerBloc! (optional) which lets you continue enjoying the comforting warmth long after the fire has gone out. Wherever you sit in the room: the large 3-sided window of the OSORNO S means you always have a great view of the blazing flames. And to make it super cosy, you can even fit wood stores and a bench right next to the chimney stove.



Steel



Natural stone  
Serpentin



Osorno S limestone vratza

## OVERVIEW

Dimensions (H/W/D in mm):	1749/620/500
Nominal heating capacity:	5,7 kW
Power range:	4 – 8 kW
Energy efficiency class:	<b>A+</b>

## WEIGHT

with steel cladding:	230 kg
with natural stone cladding:	313 kg
PowerBloc!:	+65 kg

## PRODUCT BENEFITS



Heat storer  
(accessory)



Modular system

According to DIN-EN 13229 and DIN-EN 13240





Osorno S limestone vratza

# OSORNO L

The new member of our self-assembly family

Improving our customers' quality of life and living has always been our primary concern. Our OSORNO family now includes the OSORNO L, available with a left or right-hinged door, depending on the customer's preference, with a 2-pane corner window. With its compact design, the OSORNO L provides a wealth of options for building your dream stove. You can choose between various claddings, including steel and natural stone. Plus, you can take advantage of the PowerBloc! (accessory) which lets you continue enjoying the comforting warmth long after the fire has gone out. You can also burn larger logs thanks to the wide combustion chamber.



Osorno L Steel, left side version



Osorno L limestone vratza, right side version

## OVERVIEW

Dimensions (H/W/D in mm):	1762/810/524
Nominal heating capacity:	7,8 kW
Power range:	6 – 10 kW
Energy efficiency class:	<b>A+</b>

## WEIGHT

with steel cladding:	298 kg
with natural stone cladding:	401 kg
PowerBloc!:	+100 kg

## PRODUCT BENEFITS



Heat storer  
(accessory)



Modular system



Geprüft nach DIN-EN 13229 und DIN-EN 13240





Osono L Natural stone Serpentine, left side version



Pacaya Compact Ceramic snow-white with 330 mm warming compartment



# PACAYA Compact



Treat yourself to an extra-special feel-good experience.

The design alone of our PACAYA COMPACT chimney stove is an eye-catcher and will make it a visual magnet in your living environment. This modular system is the perfect solution to your desire for individual design. And what's more, this chimney stove provides striking accents with both shape and material, regardless of whether you choose the ceramic or the natural stone version. The Olsberg combustion system guarantees a short heat-up phase and optimum use of fuel. The rounded window offers an extraordinary viewing experience and stays clean. The stove comes with other features you'd expect from such a clever, comprehensive concept, including a ventilated door handle and building authority approval for ambient air-independent operation.



Natural stone Serpentine



Pacaya Compact Ceramic snow-white



Pacaya PowerBloc! Compact Ceramic snow-white

## OVERVIEW

Dimensions (H/W/D in mm):	<b>1240/574/574</b>
Nominal heating capacity:	<b>6 kW</b>
Power range:	<b>3 – 8kW</b>
Energy efficiency class:	<b>A</b>

PACAYA COMPACT

## WEIGHT

with 330 mm Warming compartment:	<b>275 kg</b>
with 330 mm Heat storer modul:	<b>320 kg</b>
with 500 mm Heat storer modul:	<b>365 kg</b>

## PRODUCT BENEFITS



Compact door closure / ambient air independent    Ready for OEC (accessory)    Ready for OEC II (accessory)    Vorbereitet für OEC SMART1 (accessory)    Heat storer (accessory)    Swirl combustion chamber    Seasonal spark protection plate    Modular system



Pacaya Plus Compact Natural stone Serpentin with 500 mm heat storer module



# PACAYA PLUS Compact



Sophisticated, integrated modular concept

Even once the decision to choose the Pacaya Compact has been made, opinions and preferences may differ when it comes to the details. This is why we have developed a modular system with 16 different variants corresponding to individual requirements as well as different spatial constraints. We are offering a variety of solutions with the PACAYA COMPACT and PACAYA PLUS COMPACT series, which are absolutely identical in terms of their systems and technology, despite their differences in size and weight.



Pacaya Plus Compact  
Ceramic snow-white



Pacaya Plus Compact  
Ceramic snow-white with  
500 mm heat storer module

## OVERVIEW

Dimensions (H/W/D in mm):	<b>1788/574/574</b>
Nominal heating capacity:	<b>6 kW</b>
Power range:	<b>3 – 8kW</b>
Energy efficiency class:	<b>A</b>

PACAYA PLUS COMPACT

## WEIGHT

with 330 mm Warming compartment:	<b>296 kg</b>
with 330 mm Heat storer module:	<b>341 kg</b>
with 500 mm Heat storer module:	<b>385 kg</b>

## PRODUCT BENEFITS



# PALENA / - PLUS Compact

Tall and slim – just like in your dreams

The unusually high combustion chamber of the PALENA COMPACT automatically draws your attention to the flames behind the panoramic window. The curved window produces a wide field of illumination in the room. The body is made from black steel and a subtle colour highlight can be created by adding a top plate in ceramic or natural stone. The swirl combustion chamber in both models guarantees efficient operation. The PALENA COMPACT and PALENA PLUS COMPACT are both first choice for use in a low-energy house thanks to the controlled heat dissipation and ambient air-independent operation. The two models vary slightly in one small detail: the 200 mm higher combustion chamber makes refilling easier.



Ceramic weichsel cover (accessory)



Natural stone serpentini cover (accessory)



Palena Compact Steel mocca



Palena Plus Compact Steel black

## OVERVIEW

	PALENA COMPACT	PALENA PLUS COMPACT
Dimensions (H/W/D in mm):	1203/472/472	1405/472/472
Nominal heating capacity:	5 kW	5 kW
Power range:	3 – 7 kW	3 – 7 kW
Energy efficiency class:	<b>A</b>	<b>A</b>

## WEIGHT

with steel cladding:	144 kg	150 kg
with natural stone cover:	164 kg	170 kg
with ceramic cover:	154 kg	160 kg

## PRODUCT BENEFITS



Compact door closure / ambient air independent  
 Ventilated door handle  
 Ready for OEC (accessory)  
 Ready for OEC Smart1 (accessory)  
 Swirl combustion chamber  
 Drehbar\* (accessory)  
 Seasonal spark protection plate

\* With turntable, operation is dependent on ambient air. Flue tube connection at the back is not possible.





Palena Compact with ceramic cover snow-white (accessory)

# PALENA POWERBLOC! Compact

Ideal combination of beauty and extreme comfort

Just take a deep breath! Relax in a cosy atmosphere. Enjoy your downtime in a room where the focal point is an extraordinary heater. Beautiful to look at, powerful and extremely user-friendly: that's our PALENA POWERBLOC! COMPACT. A high-end chimney stove. Extremely attractive. Built with state-of-the-art technology and equipped with the Olsberg PowerBloc! heat storer (optional). Stove off? Cooling down quickly? Not with this stove! The PowerBloc! makes sure the stove continues to radiate comforting warmth even after the fire has gone out.



Natural stone Serpentin cover (accessory)



Ceramic weichsel cover (accessory)



Ceramic snow-white cover (accessory)



Palena PoweBloc!  
Compact Steel mocca

## OVERVIEW

Dimensions (H/W/D in mm):	1514/472/472
Nominal heating capacity:	5 kW
Power range:	3 – 7kW
Energy efficiency class:	<b>A</b>

## WEIGHT

with steel cladding:	208 kg
with natural stone cover:	228 kg
with ceramic cover:	218 kg
PowerBloc!:	+50 kg

## PRODUCT BENEFITS



Compact door closure / ambient air independent

Ready for OEC (accessory)

Ready for OEC Smart1 (accessory)

Heat storer (accessory)

Swirl combustion chamber

Drehbar\* (accessory)

Seasonal spark protection plate

\* With turntable, operation is dependent on ambient air. Flue tube connection at the back is not possible.







Palena PowerBloc! Compact Steel black

# PALENA PLUS SD Compact

Cosy, warm and comfortable

Are you looking for a stove that can be a visual focal point in your home as well as a source of comforting warmth? Then the PALENA PLUS SD COMPACT (SMART DOOR) with electric filling door is for you. What's special about this model is the electric door developed recently to provide maximum user convenience. This is an innovative design, unique on the market. No door handle spoiling the view of the cosy fire! The PALENA PLUS SD COMPACT guarantees low-maintenance operation, value retention, safety and a homely chic.



## Smart Door System

- 1 Door operation using foot pedal
- 2 Add timber with the door open at 45°
- 3 Clean the unit with the door open at 90°

### OVERVIEW

Dimensions (H/W/D in mm):	1405/472/472
Nominal heating capacity:	5 kW
Power range:	3 – 7 kW
Energy efficiency class:	<b>A</b>

### WEIGHT

with steel cladding:	160 kg
with natural stone cover:	180 kg
with ceramic cover:	170 kg

### PRODUCT BENEFITS



Compact door closure / ambient air independent



Ready for OEK (accessory)



Ready for OEK Smart1 (accessory)



Swirl combustion chamber





Palena Plus SD Compact



Petacas Compact side panel, glass black



# PETACAS Compact



This one's a real gem

The PETACAS COMPACT is a high-end heater. Clean lines meet individuality and a touch of playfulness. And there's also some top technology hidden inside. Create your own customised version with inserts on the side panels in, for example, black glass or natural stone. The look is rounded off with a large window in the centre providing ample view of the flames within. Stepless single-lever operation controls the amount of combustion air and shortens the heat-up time. All this combines to create a magical, dreamlike atmosphere perfect for relaxation and well-being in your home day after day.



side panel powder coated



side panel glass black



side panel Serpentin



side panel Tobacco



Petacas Compact Natural stone Serpentin cover (accessory)

## OVERVIEW

Dimensions (H/W/D in mm):	1250/486/426
Nominal heating capacity:	5 kW
Power range:	3 – 7 kW
Energy efficiency class:	<b>A+</b>

## WEIGHT

with steel plate:	140 kg
-------------------	--------

## PRODUCT BENEFITS



Compact door closure / ambient air independent



Ventilated door handle



Ready for OEC (accessory)



Ready for OEC Smart1 (accessory)



Pular Plus Compact decorative frame chrom

# PULAR Compact



Some things are timeless and outlive any fashion trends

One of those things is the chic elegance of black steel paired with the cylindrical shape of the PULAR series of chimney stoves. The large window provides maximum views of the fire. And you can broaden this perspective further still with our turntable (accessory). The window stays free of soot and streaks thanks to an innovative combustion system. The 3–7 kW heating capacity range and the compact door locking technology provide comforting warmth, safety and convenience. And the building authority approval for ambient air-independent operation guarantees state-of-the-art technology. The advantages of a higher combustion chamber or a heat storer (optional) can be found in the PULAR PLUS or PULAR POWERBLOC! models in this series too.



Ceramic snow-white cover (accessory)



Ceramic weichsel cover (accessory)



Natural stone serpentin cover (accessory)



Pular Compact decorative frame black



Pular Plus Compact decorative frame black



Pular PowerBloc! Compact decorative frame black

## OVERVIEW

	PULAR COMPACT	PULAR PLUS COMPACT	PULAR POWERBLOC! COMPACT
Dimensions (H/W/D in mm):	1205/472/472	1405/472/472	1504/472/472
Nominal heating capacity:	5 kW	5 kW	5 kW
Power range:	3 – 7 kW	3 – 7 kW	3 – 7 kW
Energy efficiency class:	<b>A+</b>	<b>A+</b>	<b>A+</b>

## WEIGHT

with steel cladding:	142 kg	150 kg	150 kg
with natural stone cover:	162 kg	170 kg	170 kg
with ceramic cover:	152 kg	160 kg	160 kg
PowerBloc!:	-	-	+50 kg

## PRODUCT BENEFITS



Compact door closure / ambient air independent



Ventilated door handle



Ready for OEK (accessory)



Ready for OEK Smart1 (accessory)



Heat storer (accessory)



Drehbar\* (accessory)



Seasonal spark protection plate

\* With turntable, operation is dependent on ambient air. Flue tube connection at the back is not possible.



Salado Compact Natural stone Serpentin



# SALADO Compact



A big belly can actually be quite attractive

With its spacious combustion chamber, large window and open wood store, our SALADO chimney stove is a thing of beauty. This giant fireplace with natural stone, ceramic or black steel cladding provides instant comfort and cosiness. The combustion chamber is lined with textured fire bricks so the heat is stored for longer, making for more efficient and economic heating. The adjustable grate on the SALADO reduces the heat-up time and is just as practical as the convenient single-lever operation. The soft-close door with compact locking technology is another delightful feature. Furthermore, our locking technology allows ambient air-independent operation. On request, you can also have our OEC patented electronic controller fitted to optimise combustion without your intervention.



Ceramic snow-white



Salado Compact Steel

## OVERVIEW

Dimensions (H/W/D in mm):	1242/630/535
Nominal heating capacity:	6 kW
Power range:	3 – 8 kW
Energy efficiency class:	<b>A+</b>

## WEIGHT

with ceramic cladding	262 kg
with natural stone cladding:	304 kg
with steel cladding:	190 kg

## PRODUCT BENEFITS



Compact door closure / ambient air independent



Ventilated door handle



Ready for OEC Smart1 (accessory)



Swirl combustion chamber



Sotara Compact Ceramic maple

# SOTARA Compact



Style, comfort and lasting value

The SOTARA COMPACT chimney stove attracts everyone's attention with its curved lines. Featuring a black steel front and ceramic or natural stone side panels, this is a timeless piece. Hence our SOTARA COMPACT will look fabulous in any style of living environment. Burning is highly efficient and extremely effective. Other technical features like the compact door locking technology, ventilated door handle, swirl combustion chamber, secondary air device and OEC electronic stove control (optional) will make this clever chimney stove your favourite in no time.



Sotara Compact Natural stone Serpentin

## OVERVIEW

Dimensions (H/W/D in mm):	1225/650/557
Nominal heating capacity:	6 kW
Power range:	3 – 8 kW
Energy efficiency class:	<b>A+</b>

## WEIGHT

with ceramic cladding:	262 kg
with natural stone cladding:	304 kg

## PRODUCT BENEFITS



Compact door closure / ambient air independent

Ventilated door handle

Ready for OEC (accessory)

Ready for OEC Smart1 (accessory)

Swirl combustion chamber

Integrated subsidiary air unit

Seasonal spark protection plate

# TACORA Compact

Three winning factors in one stove

Elegant design, high-quality materials and maximum user convenience – this is what makes our TACORA COMPACT chimney stove a cut above the rest. So it will soon become a must-have in your living landscape. The name “Tacora” refers to a volcano in Chile. In the TACORA COMPACT, the power unleashed by volcanic fire is tamed beautifully by a matt black steel front that can be combined with ceramic or natural stone cladding.



Ceramic maple



Ceramic black-wood



Tacora Compact Natural stone Sepentin



Tacora Compact SandStone BigStone

OVERVIEW	TACORA COMPACT	TACORA COMPACT BIGSTONE
Dimensions (H/W/D in mm):	1438/540/494	1454/642/505
Nominal heating capacity:	6 kW	6 kW
Power range:	3 – 8 kW	3 – 8 kW
Energy efficiency class:	<b>A+</b>	<b>A+</b>

WEIGHT	TACORA COMPACT	TACORA COMPACT BIGSTONE
with steel cladding:	200 kg	200 kg
with ceramic cladding:	243 kg	243 kg
with natural stone cladding:	259 kg	259 kg

## PRODUCT BENEFITS



Compact door closure / ambient air independent  
 Ventilated door handle  
 Ready for OEC (accessory)  
 Ready for OEC Smart1 (accessory)  
 Swirl combustion chamber  
 Seasonal spark protection plate  
 Integrated subsidiary air unit



Tacora Compact SandStone BigStone





Tecapa II Compact Steel cladding with Glass front

# TECAPA II Compact



## Strong and classic

The oval TECAPA II COMPACT chimney stove enhances any living space and, thanks to its dimensions, also fits into niches. For the cladding, you can choose between natural stone, ceramic and solid steel. The black steel version comes with the PowerSystem with heat-storage stones as standard. This system continues to radiate warmth even after the fire has gone out. And you can even design the front to your taste: wow your guests with a discreet glass door with steel frame or a printed full glass front. Other impressive features include a riddle grate, an ash pan for easy ash removal, an integrated air-based window rinsing system and a ventilated door handle.

## Heat in reserve



One more crackle, one last flicker of flame, and then, unless you feed the fire fast enough, your hopes for cosy warmth will go up in smoke. That's how it usually works. Not with the exquisitely designed TECAPA II COMPACT with steel cladding, however. The special features of this stove become very clear once the fire has gone out, because the built-in PowerSystem ensures an extended, pleasant period of warmth even after the fire has burned down.



Ceramic snow-white



Natural stone Serpentin



Tecapa II Compact  
with Steel door, Ceramic caffè au lait

## OVERVIEW

Dimensions (H/W/D in mm):	1240/611/476
Nominal heating capacity:	6 kW
Power range:	3 – 8 kW
Energy efficiency class:	<b>A+</b>

## WEIGHT

with steel cladding:	190 kg
with ceramic cladding:	212 kg
with natural stone cladding:	226 kg

## PRODUCT BENEFITS



Compact door closure / ambient air independent



Ventilated door handle



Ready for OEC (accessory)



Ready for OEC Smart1 (accessory)



Seasonal spark protection plate



Tenorio PowerSystem Compact with Ceramic snow-white cover (accessory)



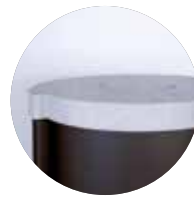


# TENORIO POWER- SYSTEM Compact

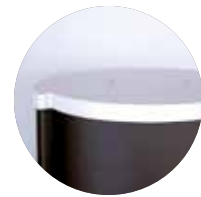


Do you like the idea of youthful elegance teamed with power

Then you'll fall in love with the TENORIO POWERSYSTEM COMPACT straight away! The strong clean lines on the outside mirror what lies beneath in this "jack-of-all-trades" stove. With the integrated Olivin-SpeicherBloc!, much of the heat is stored and gradually released into the room. This means you get optimum heating performance and maximum eco-friendliness. You also have the option to add the Olsberg Efficiency Controller OEC II as an accessory. This device measures the exhaust gas temperature and automatically controls the heating and combustion process.



Natural stone Serpentine cover (accessory)



Ceramic snow-white cover (accessory)

## OVERVIEW

Dimensions (H/W/D in mm):	1497/505/505
Nominal heating capacity:	5 kW
Power range:	2 – 6 kW
Energy efficiency class:	<b>A+</b>

## WEIGHT

with steel cladding and PowerSystem:	251 kg
with natural stone cover:	271 kg
with ceramic cover:	261 kg

## PRODUCT BENEFITS



Compact door closure / ambient air independent

Ready for OEC (accessory)

Ready for OEC II (accessory)

Vorbereitet für OEC SMART1 (accessory)

Speicher

Swirl combustion chamber

Seasonal spark protection plate

# TIPAS Compact

High class for small spaces

The flair and dignified atmosphere of a room is not calculated in square meters. All that matters is style and taste. The TIPAS COMPACT is a chimney stove that meets your demands when it comes to looks and living comfort, especially in small spaces since that is what it was designed for. Slim with a small diameter of 43 cm and a heating capacity of 4 kW, this is the perfect heater and unexpected eye-catcher for apartments and small living rooms. Dazzling and effective, you can create your perfect living room with the TIPAS III COMPACT.



Ceramic  
snow-white



Ceramic  
caffè corretto



Tipas Compact II  
Natural stone Serpentine

## OVERVIEW

Dimensions (H/W/D in mm):	1100/430/430
Nominal heating capacity:	4 kW
Power range:	2 – 6 kW
Energy efficiency class:	<b>A+</b>

## WEIGHT

with steel cladding:	125 kg
with ceramic cladding:	150 kg
with natural stone cladding:	160 kg

## PRODUCT BENEFITS:



Compact Tür-  
verschluss/raumluft-  
unabhängig

Belüfteter  
Türgriff

Vorbereitet für  
OEC (accessory)

Vorbereitet für  
OEC Smart1  
(accessory)

Wirbelbrenn-  
kammer

Saison Funken-  
schutzplatte

Drehbar\*  
(accessory)

\* With turntable, operation is dependent on ambient air. Flue tube connection at the back is not possible.





Tipas Compact III Glass front, Ceramic fresh apple

# TIPAS PLUS Compact

Round is chic

With its attractive round shape, our TIPAS PLUS COMPACT chimney stove adds a touch of taste and style to any living room. The space-saving dimensions create a cosy, feel-good atmosphere, even in small or angular living rooms. Furthermore, the TIPAS PLUS COMPACT really excels with lots of useful details like the high combustion chamber, which makes it easier for you to fill the stove. And just to make sure this chimney stove fits in perfectly with your decor, it comes in a variety of versions. You can get it with side cladding in black steel, for example, or with coffee freddo coloured ceramic cladding or with serpentine natural stone cladding. The rounded door with large window provides generous views of the blazing flames.



Ceramic fresh apple cover (accessory)



Natural stone Serpentin



Ceramic snow-white cover (accessory)



Ceramic caffè corretto cover (accessory)



Tipas Plus Compact Steel

## OVERVIEW

Dimensions (H/W/D in mm):	1300/430/430
Nominal heating capacity:	4 kW
Power range:	2 – 6 kW
Energy efficiency class:	<b>A+</b>

## WEIGHT

with steel cladding:	135 kg
with ceramic cladding:	154 kg
with natural stone cladding:	165 kg

## PRODUCT BENEFITS



Compact door closure / ambient air independent

Ventilated door handle

Ready for OEC (accessory)

Ready for OEC Smart1 (accessory)

Swirl combustion chamber

Seasonal spark protection plate

Drehbar\* (accessory)

\* With turntable, operation is dependent on ambient air. Flue tube connection at the back is not possible.





Tipas Plus Compact Ceramic caffè freddo



Tipas PowerBloc! Compact Steel



# TIPAS POWERBLOC! Compact



The attractive shape, space-saving design and premium materials of our TIPAS POWERBLOC! COMPACT are complemented by its structural advantages and precise workmanship. This heater is also wonderfully practical, with straightforward operation and useful features such as the large combustion chamber, which provides an excellent view of the dancing flames. The optionally available PowerBloc! continues to emit stored heat for a long time after the fire has gone out.

! Hinweis: Mit Drehteller ist der Ofen nur raumluftabhängig zu betreiben. Rauchrohranschluß hinten mit Drehteller nicht möglich!



Ceramic caffè freddo



Ceramic Kupfer



Tipas PowerBloc! Compact  
Natural stone Serpentin

## OVERVIEW

Dimensions (H/W/D in mm):	1294/430/430
Nominal heating capacity:	4 kW
Power range:	2-6 kW
Energy efficiency class:	<b>A+</b>

## WEIGHT

with steel cladding:	175 kg
with ceramic cladding:	193 kg
with natural stone cladding:	204 kg
PowerBloc!:	39 kg

## PRODUCT BENEFITS



Compact door closure / ambient air independent

Ready for OEC (accessory)

Ready for OEC Smart1 (accessory)

Heat storer (accessory)

Swirl combustion chamber

Rotating (accessory)

Seasonal spark protection plate

# TOLIMA POWER- SYSTEM II Compact

Comfort at the end of a long day

This model shines with everything an attractive chimney stove should have. The best quality materials, an impeccable surface finish, an decidedly homely design and first-class, innovative technology. Above all, however, this TOLIMA version has the POWERSYSTEM II - an extra that essentially takes heating comfort to another level because it allows this stove to continue radiating comforting warmth long after the fire has actually gone out. In addition, the convection air, i.e. the amount of warm air emitted, can be controlled manually and automatically (optional).



Ceramic maple



Natural stone  
Serpentine



Ceramic  
hematite

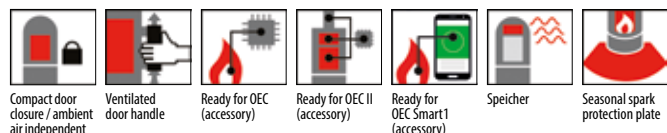
## OVERVIEW

Dimensions (H/W/D in mm):	1366/622/560
Nominal heating capacity:	6 kW
Power range:	3 – 8 kW
Energy efficiency class:	<b>A+</b>

## WEIGHT

with steel cladding:	235 kg
with ceramic cladding:	275 kg
with natural stone cladding:	325 kg
PowerBloc!:	+ 75 kg

## PRODUCT BENEFITS



Compact door  
closure / ambient  
air independent

Ventilated  
door handle

Ready for OEC  
(accessory)

Ready for OEC II  
(accessory)

Ready for  
OEC Smart1  
(accessory)

Speicher

Seasonal spark  
protection plate







Tolima Power System II Compact Ceramic caffè freddo



Turia Lina Compact Steel, Glass front



# TURIA LINA

## Compact

A completely different kind of wall decoration

Small room? Not much floor space? No problem! Room dimensions are not an issue for our TURIA LINA. Just mount it on the wall!

This saves space, is practical and looks fabulous. At the same time, this extravagant wall decoration is a flickering and crackling fireplace, creating an extremely attractive, welcoming atmosphere. And the beautiful full glass front is the icing on the cake.



Ceramic snow-white



Natural stone Serpentin

### OVERVIEW

Dimensions (H/W/D in mm):	1240/491/404
Nominal heating capacity:	5 kW
Power range:	3-7 kW
Energy efficiency class:	<b>A+</b>

### WEIGHT

with steel cladding:	164 kg
with ceramic cladding:	185 kg
with natural stone cladding:	189 kg

### PRODUCT BENEFITS



Compact door closure / ambient air independent



Ventilated door handle



Ready for OEC (accessory)



Ready for OEC Smart1 (accessory)



Swirl combustion chamber



Nevado Aqua Compact Ceramic caffè latte



# Water-carrying chimney stoves



No doubt about it: despite all the differences in detail, Olsberg chimney stoves certainly offer sophisticated technical equipment, perfect safety and an attractive character for the home. Customers can still have these advantages even if they opt for an water-carrying chimney stove. This design is rightly considered an example of an innovative overall concept, and its efficiency benefits people and the environment alike.

## How the system works

Unlike in traditional chimney stoves, the heat generated in water-carrying chimney stoves is used only in part to heat the rooms. The rest is fed into the central heating system by means of a heat exchanger and distributed throughout the house.

## Hot-water reserve for the next morning

Using a hot water buffer that is integrated into the heating system, the generated heat is made available all day long. In this way, the hot water generated by an evening fire can still be used in the morning to take a shower.

## Safety in any situation

For emergencies, there is a thermal discharge safety device. When a malfunction occurs, such as a failure of the circulation pump, the excess heat from the stove is carried off by the cold water, which flows through the chimney stove.

## Comfort with savings

With an efficiency of more than 80%, Olsberg water-carrying chimney stoves guarantee the highest efficiency, relief for your heating system and significant energy and cost savings.



Nevado Aqua Compact Ceramic caffè latte



# NEVADO AQUA Compact



You'll rub your eyes in disbelief

Everything about our NEVADO AQUA COMPACT stove says understated elegance and cosiness. This model is the perfect combination of technical innovation, environmental awareness and cost-efficiency. It turns cosy and comfortable living into a reality. This water-carrying chimney stove uses approximately 5 kW of its capacity to support the connected heating system and hot-water supply. And as a special highlight, it is equipped with an integrated change-over damper. This addition offers particularly noticeable advantages during heat-up because if the change-over damper is switched to air heating during this stage, the chimney stove achieves the optimum operating temperature in no time at all. With respect to cladding, there are four options to choose from. The practical ash pan, automatic air-based window rinsing system and ventilated door handle round off the comfort options provided by the NEVADO AQUA COMPACT nicely.



Ceramic maple



Natural stone Serpentin



Steel

## OVERVIEW

Dimensions (H/W/D in mm):	1548/546/526
Nominal heating capacity:	8 kW
Water heating up to:	65%
Power range:	4-10 kW
Energy efficiency class:	<b>A+</b>
Water capacity:	23l

## WEIGHT

with steel cladding:	260 kg
with ceramic cladding:	293 kg
with natural stone cladding:	357 kg

## PRODUCT BENEFITS



Compact door closure / ambient air independent



Ventilated door handle



Ready for OEC (accessory)



Ready for OEC Smart1 (accessory)



Water systems



Change-over damper

# TOLIMA AQUA II Compact

Useful and beautiful united

The ideal combination for a chimney stove. Gently rounded shape. Elegant material. A crackling, feel-good atmosphere. And the unique advantages of water-carrying chimney stove technology. The TOLIMA AQUA II COMPACT supports your connected heating system and hot-water supply with about 70 percent of its capacity. This is a valuable connection that reduces energy consumption, benefits nature and is therefore good for both the people and the environment. All this makes it so much nicer to enjoy your living space day after day like an island of peace and relaxation.



Ceramic maple



Ceramic caffè freddo



Ceramic hematite

## OVERVIEW

Dimensions (H/W/D in mm):	1348/617/549
Nominal heating capacity:	8+10 kW
Water heating up to:	70 %
Power range:	5-12 kW
Energy efficiency class:	<b>A+</b>
Water capacity:	30 l

## WEIGHT

with steel cladding:	240 kg
with ceramic cladding:	260 kg
with natural stone cladding:	305 kg

## PRODUCT BENEFITS:



Compact door closure / ambient air independent



Ventilated door handle



Ready for OEC (accessory)



Ready for OEC Smart1 (accessory)



Seasonal spark protection plate



Water systems







Tolima Aqua II Compact Natural stone Serpentin



# Pellet Stoves



## The Olsberg Evolution

### **How innovative technology and a small „bundle of energy“ optimise heating comfort**

At the start of the development work, the most important thing was finding out what traditionally made Olsberg stand out: experience, expertise and creativity. Based on this, an innovative concept was created, which combined the benefits of a tried-and-tested technology with the possibilities provided by an interesting fuel, and then made the best possible use of it: the result – the Olsberg Pellet Chimney Stoves. The pellets, which are made of compacted wood shavings and sawdust, are popular as a renewable energy source. They are an ideal heating fuel for chimney stoves, because they combine their homely-aesthetic qualities with good efficiency and ease of use. The fuel feed and control of the burning of fuel, for example, are handled automatically. This therefore means that lighting and adding fuel are a thing of the past. What's more, in the water-carrying version, which is connected to the heating system, a large part of heat output is used for central heating and hot water. Comfort in a class of its own!

### **Intelligent, automatic control system with**

- Temperature-based power control
- Stand-by switch
- Night time reduction
- Frost protection function
- Programming of automatic switching times
- Party function

### **Innovative combustion technology through**

- Permanent differential pressure measurements for variable flue gas ventilators based on the chimney draft
- Sensory test of pellet quality and dynamic control of the pellet feed level for optimum fuel utilisation and low pollution combustion
- Automatic, regular cleaning of the burning pot

### **Additional benefits**

- Authorization for operation independent of ambient air
- Decorative control element with touchscreen system, incl. symbol and dialog-based operation
- Attractive firebox with light Thermott cladding
- Quiet operation
- No convection fan (6 KW version)
- Child lock
- Remote control for operation via smartphone (Accessories)
- Smartphone app for remote control



Arina Natural stone sandstone Rainbow



# ARINA



Have you thought about what is important to you when it comes to your personal quality of living?

No doubt besides individual style, this also includes the type of heating. Our ARINA pellet stove can meet all your requirements for increased comfort and cosiness. Premium workmanship, maximum functionality and a perfect aesthetic design combine to create a harmonious overall look. Plus, the ARINA is kind on your pocket: behind the elegant exterior of this pellet stove hides modern control technology. This means fuel consumption is always economical. And in turn, that helps the environment. Your guests and friends will be amazed at just how easy this system is to operate. You can control the ARINA's functions from your sofa using your smartphone or the remote control.



Natural stone Serpentin



Beton Esperado



Ceramic snow-white

## OVERVIEW

Dimensions (H/W/D in mm)	<b>1116/483/488</b>
Nominal heating capacity:	<b>6 kW</b>
Power range:	<b>2,1-6 kW</b>
Efficiency:	<b>&gt; 90 %</b>
Energy efficiency class:	<b>A+</b>

## WEIGHT

with ceramic cladding:	<b>170 kg</b>
with natural stone cladding:	<b>180 kg</b>

## PRODUCT BENEFITS



Seasonal spark protection plate

# INARA

Bull's eye!  
Ticks all the boxes

The harmonious overall concept of our INARA pellet stove will draw you in with its elegant lines from the moment you set eyes on it. But most importantly, this stove will impress you with its functionality as a reliable, ambient air-independent and attractive source of heat. No need to worry about whether this stove will match your interior design – it's a great all-rounder and looks fabulous in any environment. For the cladding, you can choose between natural stone, ceramic and steel. The ease of operation also leaves nothing to be desired. For example, the fuel is fed automatically into the burner pot. And you can control the combustion and room temperature for maximum comfort. The stove is controlled easily via a display with touch system.



Steel black



Natural stone Serpentin

## OVERVIEW

Dimensions (H/W/D in mm):	1136/490/482
Nominal heating capacity:	6 kW
Power range:	2,1 - 6 kW
Efficiency:	> 90 %
Energy efficiency class:	<b>A+</b>

## WEIGHT

with steel cladding:	125 kg
with ceramic cladding:	160 kg
with natural stone cladding:	170 kg

## PRODUCT BENEFITS



Seasonal spark protection plate



Inara Ceramic vanilla





Levana Aqua Ceramic caffè arabica



# LEVANA, LEVANA AQUA



The exclusive charm of design maturity

Treat yourself to a little exclusivity with the LEVANA 6KW/8KW pellet stove: this stove can fulfil your personal expectation of a sophisticated living environment without being too imposing.

It's clear: this pellet stove is no shrinking violet! But above all else, the LEVANA stands out for being a reliable, ambient air-independent source of heat with excellent ease of use. You can choose from a variety of cladding options. Be it steel, ceramic or natural stone, all these materials emphasise the clean and elegant lines of this stove. Fuel supply is automatic, as is combustion control. The attractive overall concept is rounded off with a modern control panel featuring an icon and dialogue-based display in a touch system.

Exclusive design combined with the latest heating technology



The LEVANA AQUA pellet stove will become an extraordinary accessory in your exclusive living environment. On the outside, the LEVANA AQUA features elegant lines with no superfluous extras, lending it a sophisticated and harmonious appearance. And as if that wasn't enough: this stove is also equipped with ambient air-independent technology and is incredibly easy to use. The most important technical features include automatic fuel supply and automatic combustion control. The LEVANA AQUA offers easy operation via a display with touch system. On top of all that, you save: as a water-carrying appliance, the LEVANA AQUA supports your home's internal heating system. What are you waiting for?



Steel black



Ceramic caffè freddo



Natural stone Serpentine

## OVERVIEW

	LEVANA 6KW	LEVANA 8KW	LEVANA AQUA
Dimensions (H/W/D in mm):	1116/490/482	1116/490/482	1116/482/481
Nominal heating capacity:	6 kW	8 kW	8 kW
Power range:	2,1-6 kW	2,4-8 kW	2,4-8 kW
Energy efficiency class:	<b>A+</b>	<b>A+</b>	<b>A+</b>

## WEIGHT

with steel cladding:	125 kg	125 kg	131 kg
with ceramic cladding:	160 kg	160 kg	168 kg
with natural stone cladding:	170 kg	170 kg	176 kg

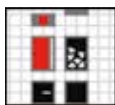
## PRODUCT BENEFITS



Saison Funken-  
schutzplatte

# Olsberg: Technology

Innovations that optimise comfort and performance



## Modular system

Create distinctive accents thanks to custom design. Opinions and preferences can still differ even after a model of stove has been chosen. This is why we have developed a modular system which can satisfy individual requirements as well as different spatial constraints.



## Ventilated door handle

As with all Olsberg appliances (excluding the Palena SD Compact and pellet stoves) our ventilated door handles guarantee comfortable and safe restocking of firewood. Thanks to their internal ventilation, our door handles remain as cool as possible, meaning that normally they can be touched without the usual gloves.



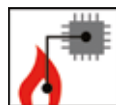
## Saison spark guard

Removal of the Saison spark guard enables easy cleaning, optionally available with some models.



## Rotatable

Can only be operated with a rotary table depending on air conditions in the room! Rear flue connection not possible.



## OEC – Olsberg-Efficiency-Controller

**A marked improvement in environmental conservation and efficiency**

### System benefits

Automatically controlled heating and combustion process using:

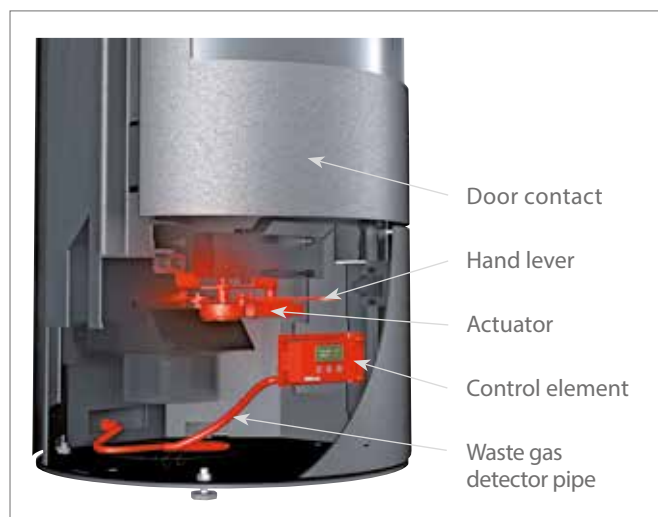
- Heating gas-controlled burnout regulation
- Optimum combustion air feed

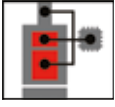
### Results

- Low-pollution combustion
- Optimum fuel utilisation
- Maximum efficiency
- No cooling of the surrounding area after burnout; furthermore:
- Simple conversion to manual operation
- Simple to upgrade

### Technical concept

The integrated sensor continuously monitors the temperature in the exhaust gas and immediately transfers the resulting data to the processor of the control unit, which then makes a comparison with the stored ideal conditions. With the help of the installed actuator, the quantity of combustion air is optimally regulated in line with every burnout situation. At the end of the burnout, when the embers are glowing, the OEC closes the air supply and thus prevents the stove and the surrounding area from cooling down.





## OEC II – Olsberg- Efficiency-Controller II

### Automatically controlled climate of comfort

**In addition to all the features and benefits of the OEC, the OEC II provides the following advantages:**

#### System benefits

Automatically controlled heating and combustion process using:

- Regulated heat dissipation during combustion due to automatic room temperature adaptation
- Electronically controlled fine adjustment
- Automatically controlled combustion air feed
- Automatic closure of the air supply after burnout

#### Results

- Dosed heat dissipation during combustion due to automatic adaptation to room temperature
- Maintenance of heat after burnout

#### Technical concept

Due to precise, electronically controlled fine adjustment, the supply of combustion air and a regulated heat dissipation throughout the entire burn are automatically controlled and adapted to the room temperature. At the end of the burnout, when embers are glowing, the OEC II closes off the air supply preventing the stove and surrounding area from cooling down. Optimum fuel utilisation maximises energy and increases overall efficiency.



## OEC Smart1 – Olsberg- Efficiency-Controller Smart1

Automatically maintain a pleasant atmosphere with noticeable benefits for the environment and efficiency. Heating is automatically controlled through a combustion regulator using heating gas and optimal levels of combustion air.

#### System Advantages

The smartphone app uses Bluetooth to conveniently control the stove from the comfort of your sofa. The app provides greater transparency and makes the stove even more intelligent.

#### Technical concept

Precise and electronic monitoring of the combustion process allows the supply of combustion air and a controlled, pleasant output of heat (OEC II) to be automatically regulated and adapted to the temperature of the room. The built-in sensor continuously monitors the temperature of the flue gas and immediately forwards this data to the control unit. The control unit then makes adjustments to match the preconfigured ideal conditions, regulating the volume of combustion air by means of an installed servomotor as required. At the end of combustion (embers phase), the OEC closes off the air supply, thus preventing the chamber from cooling down.



## Heat storer

### Fire out? The heat remains!

#### System benefits

Prolonged storage of heat from the heat storer systems due to:

- Up to 140 kg of storage mass
- High-quality heat storer stones made of olivine
- Thermott PowerBloc! heat storer as a hot gas flue in the combustion chamber (device-specific)

In addition:

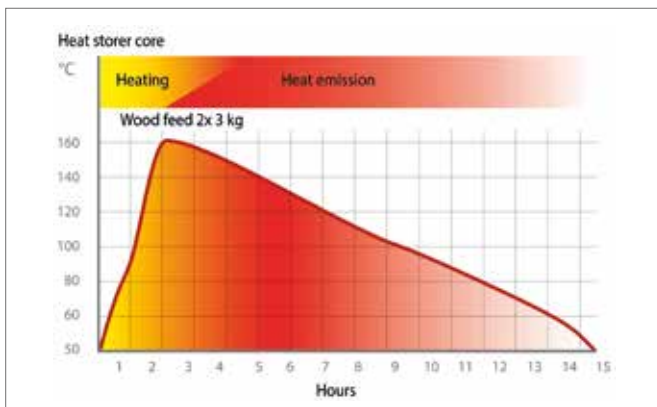
- Asy assembly
- Upgradeable at any time (device-specific)

#### Results

- Rapid direct heat from the combustion chamber
- Constant comfortable temperature after burnout

#### Technical concept

The average burnout phase for a quantity of firewood in a chimney stove generally does not last longer than an hour. If no further fuel is then added to the fire, the chimney stove will soon stop giving off heat. To extend this heating phase, Olsberg has developed the PowerSystem storage technology, a chimney stove that retains the heat with the help of storage stones and which continues to give off pleasant warmth into the room even after the burnout phase.



## Ambient air-independent combustion

### A league of its own

#### System benefits

Compact door closure system:

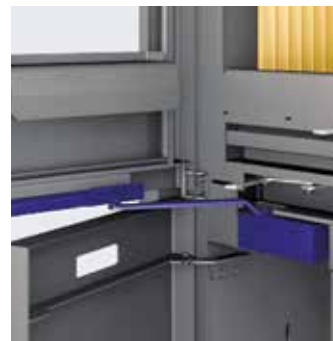
- Patented
- Low-wear
- Hydraulic
- Low-noise
- Permanent seal
- Used exclusively in the Olsberg Compact model series

#### Results

- Building inspectorate authorisation for the Olsberg Compact series for ambient air-independent operation
- No additional safety device required when installed with an approved ventilation system
- Multiple configurations possible with ambient air-dependent operation
- Multiple configurations possible with ambient air-independent operation, depending on device type (see DIBT authorisation)

#### Technical concept

Because of its unique design characteristics, the patented Olsberg Compact door closure system



meets all regulations that have been legally adopted in order for a chimney stove to be approved for ambient air-independent operation. Among other things, this includes ensuring that the locking mechanism provides a sufficient

seal to the room in which the stove is located. Overall, the system achieves a standard that eliminates the need for additional safety equipment when an approved ventilation system is installed. The door of the chimney stove can be locked in the open position. Thus, cleaning of the combustion chamber is made much easier.



## Swirl combustion chamber

### Fair for the environment

#### System benefits

Innovative combustion technology (German patent):

- High combustion temperature
- Optimum mix of combustion air and heating gases
- Extremely long retention time in the combustion zone

#### Results

- High efficiency
- Low emissions
- Clean and environmentally friendly

#### Technical concept

The special design of the swirl combustion chamber allows the hot gases to be retained in the combustion zone for an exceptionally long time. As a result, the combustion air and the hot gases can mix perfectly. This process in turn creates ideal conditions for optimised post-combustion, which leads to a significant reduction in emissions and particulate matter.



## Integrated subsidiary air unit

### Wind & weather are no problem

#### System benefits

Innovative and patented combustion technology (design registered in Germany):

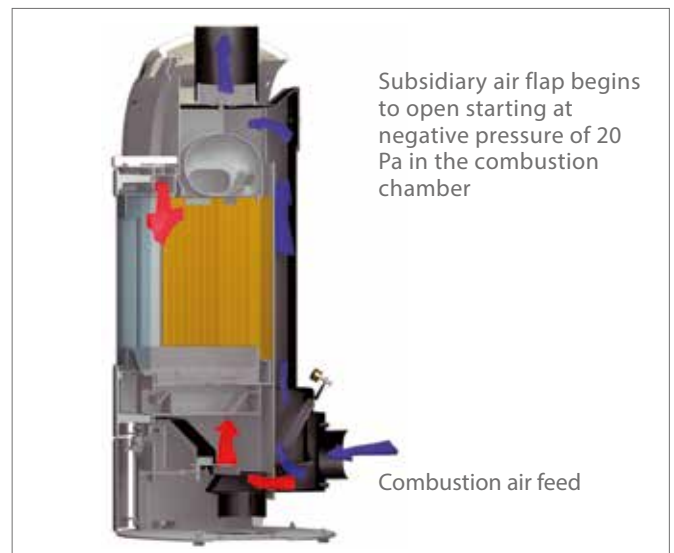
- Optimised burning
- Constant combustion air flow and high efficiency due to hinged flap
- Low emissions, even if chimney draw is too strong

#### Results

- Uniform burning
- Reduced fuel consumption
- Environmentally friendly
- Clean window

#### Technical concept

The subsidiary air mechanism, better known in the industry as the draft stabiliser, ensures a steady chimney draw. An important component is the hinged flap. This opens automatically at 20 Pa, thus achieving constant conditions in the waste gas flue. In this way, optimised combustion with low emissions is always ensured, even with fluctuating wind and weather conditions and strong chimney draw.





## Water systems

- Heat-insulated water traps
- Additional bank of pipes in the combustion chamber
- Up to about 70% water output
- Water connections possible at back and base
- Combustion air connection possible at back and base
- Easy integration into existing heating systems

### How the system works

Unlike in traditional chimney stoves, the heat generated in water-carrying chimney stoves is used only in part to heat the rooms. The rest is fed into the central heating system by means of a heat exchanger and distributed throughout the house.

### Hot-water reserve for the next morning

Using a hot water buffer that is integrated into the heating system, the generated heat is made available all day long. In this way, the hot water generated by an evening fire can still be used in the morning to take a shower.

### Safety in any situation

For emergencies, there is a thermal discharge safety device. When a malfunction occurs, such as a failure of the circulation pump, the excess heat from the stove is carried off by the cold water, which flows through the chimney stove.

### Comfort with savings

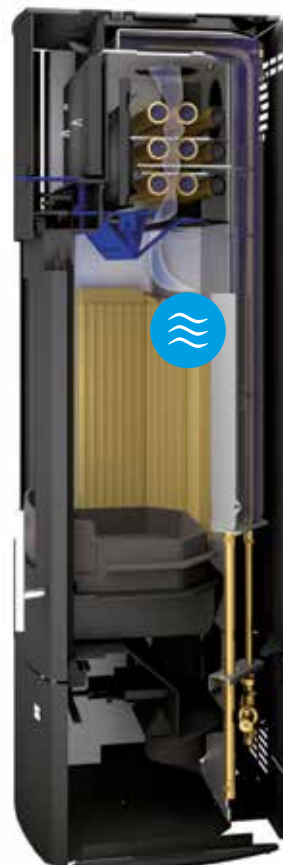
With an efficiency of more than 80%, Olsberg water-carrying chimney stoves guarantee the highest efficiency, relief for your heating system and significant energy and cost savings.



## Change-over damper

In addition to the TOLIMA AQUA COMPACT, which has been proving its worth for years, we now also present to you the NEVADO AQUA COMPACT. In addition to the well-known and proven Olsberg technologies, the Nevado Aqua Compact has an exhaust change-over damper with which part of the heating capacity (about 1.5 kW) can be selected as water or air heating. When the Nevado Aqua Compact is heated up, the change-over damper is set to air heating. As a result, the optimum operating temperature of the chimney stove is achieved in a very short time and the room where the stove is installed is quickly and efficiently brought to a comfortable temperature. Once the desired room temperature is achieved, the control lever is placed back to water heating.

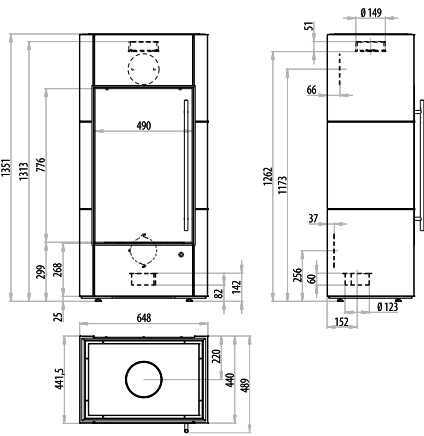
Change-over damper on water heating



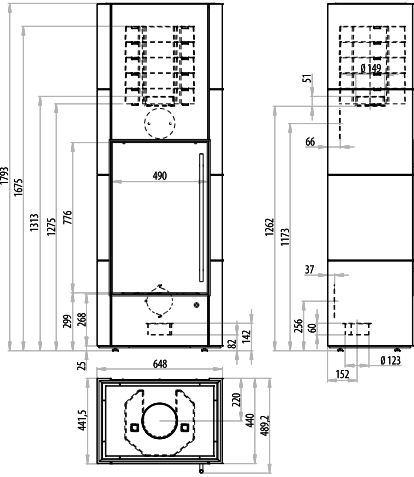
Change-over damper on air heating



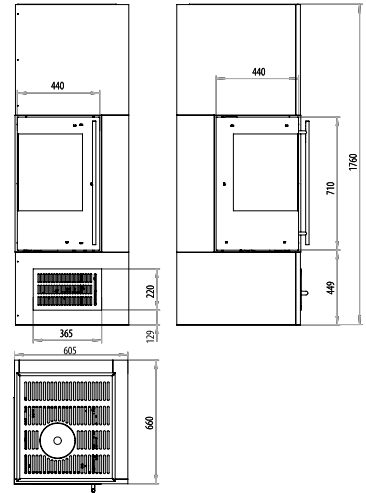
### Alegre Compact



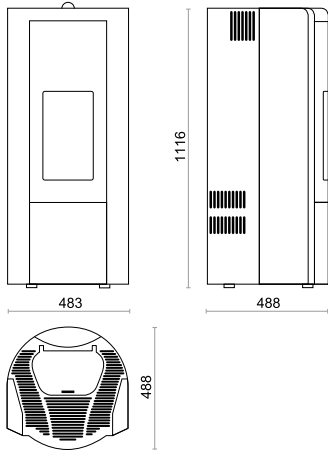
### Alegre PowerBloc! Compact



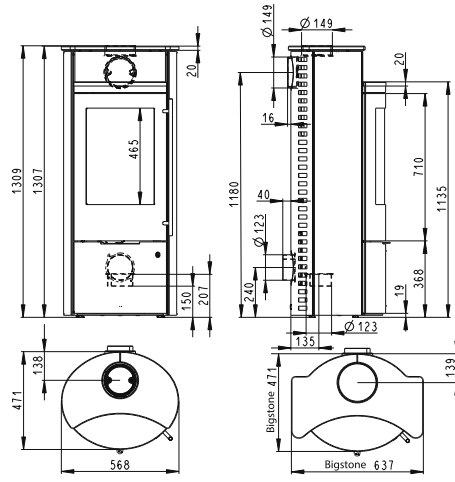
### Aracar Compact



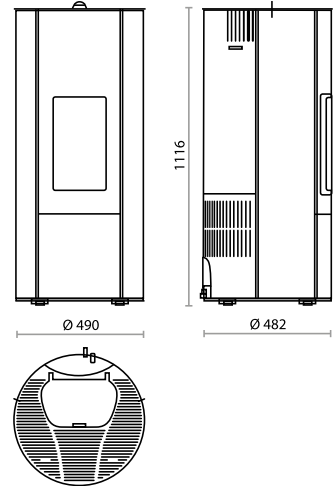
### Arina (Pellet stove)



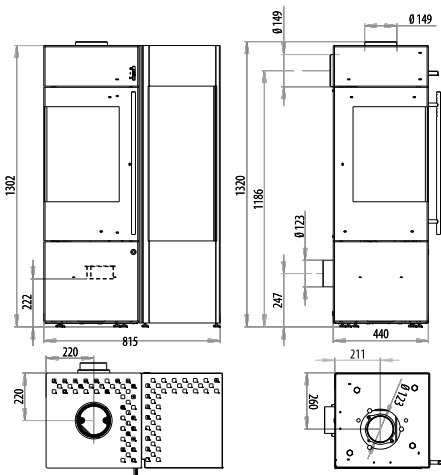
### Caldera II Compact



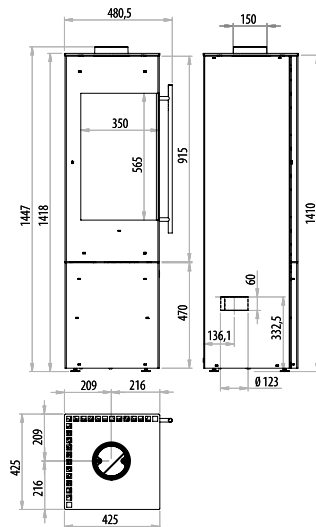
### Inara (Pellet stove)



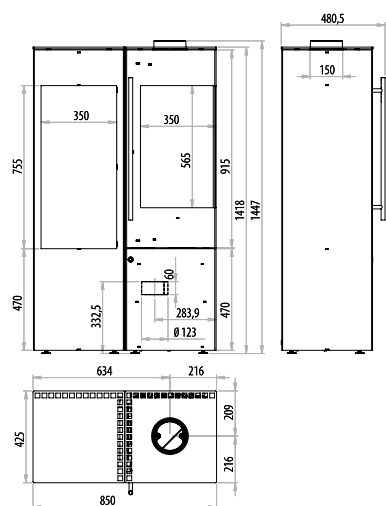
### Ipala Compact

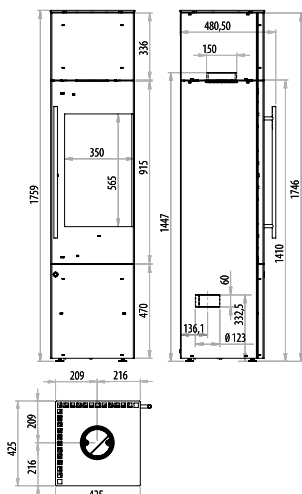
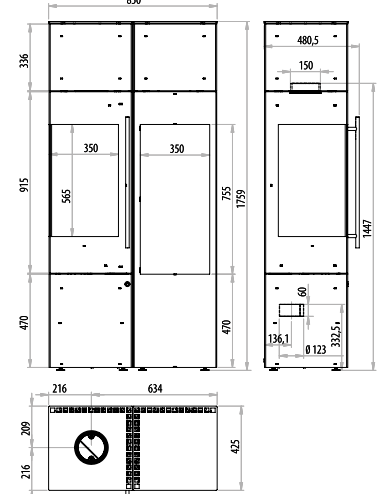
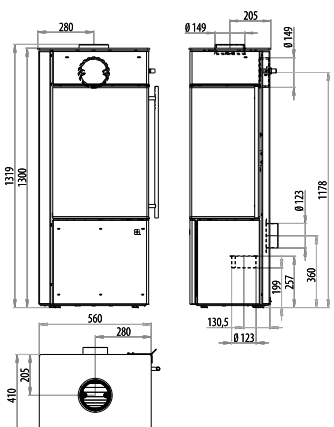
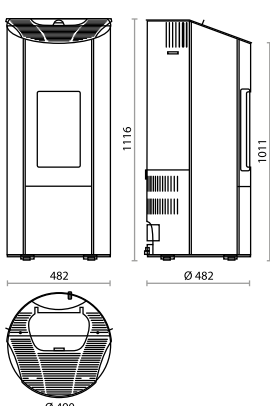
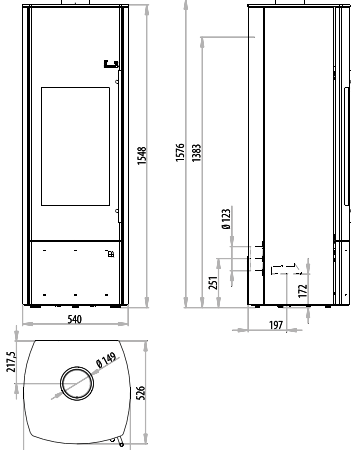
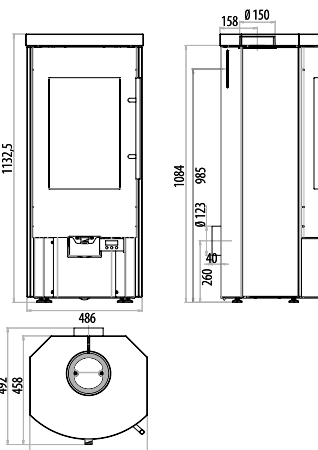
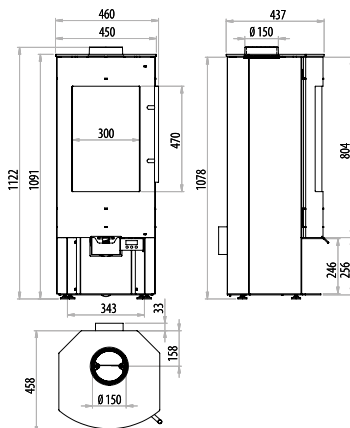
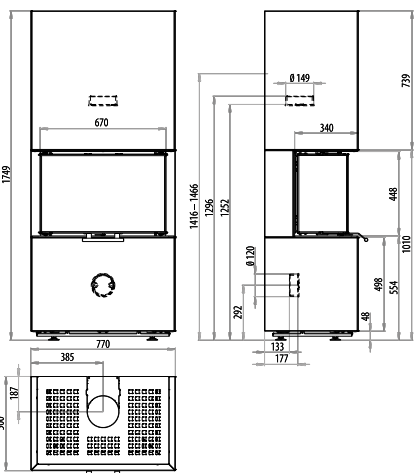
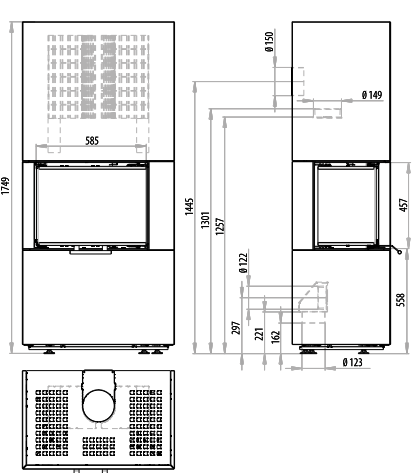


### Ipala Smart Compact

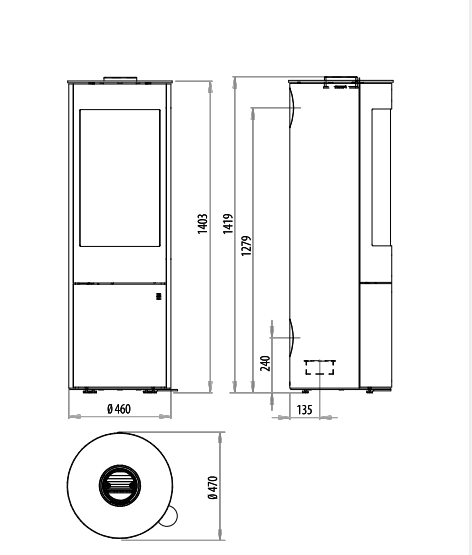
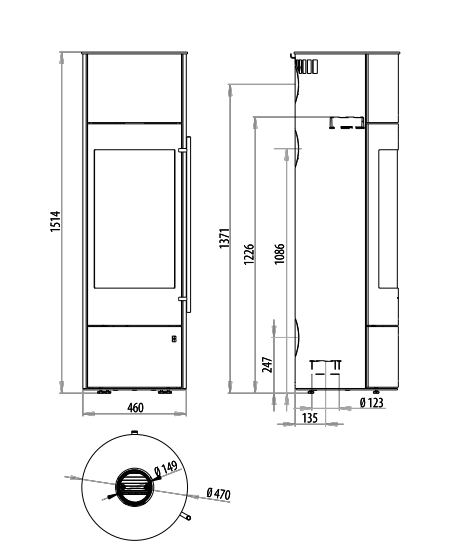
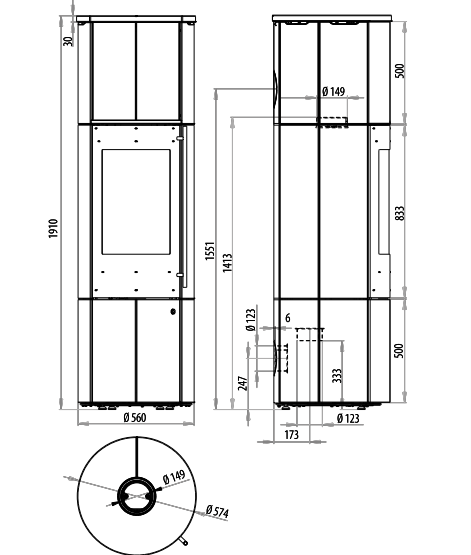
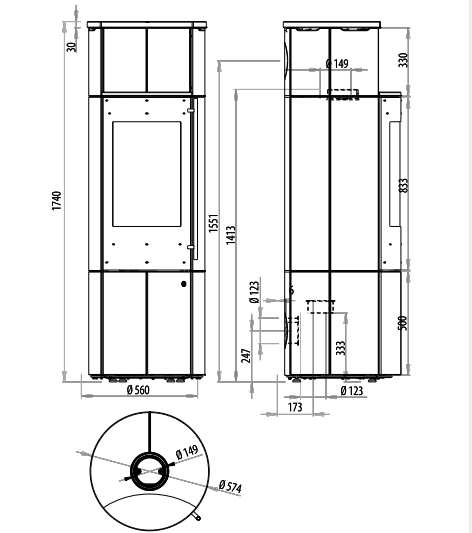
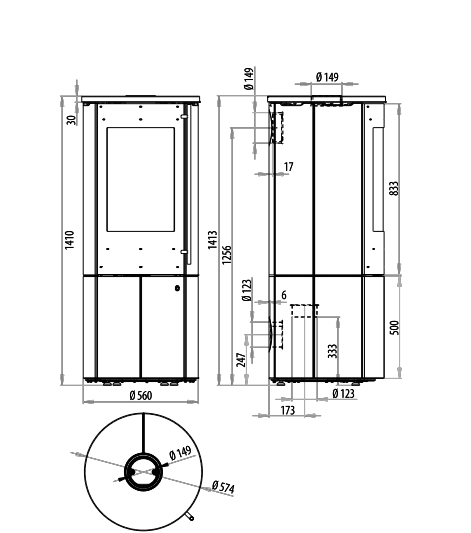
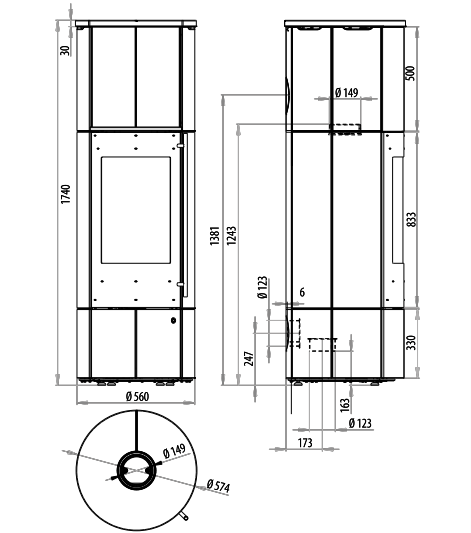
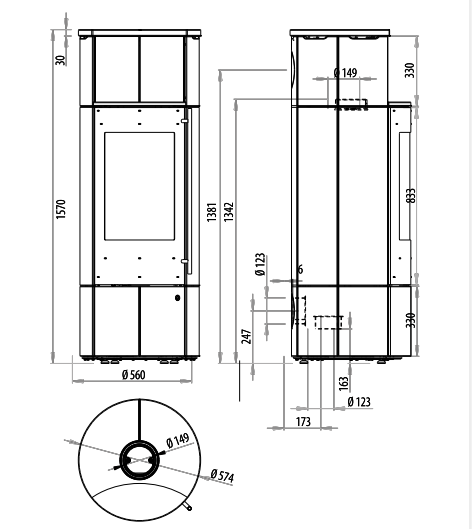
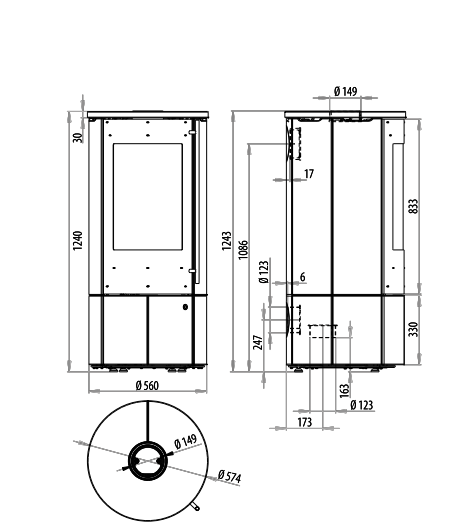
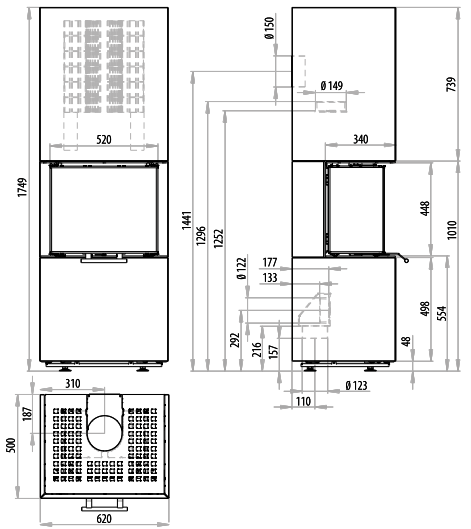


### Ipala Smart Compact Door opens to the right, with timber storage

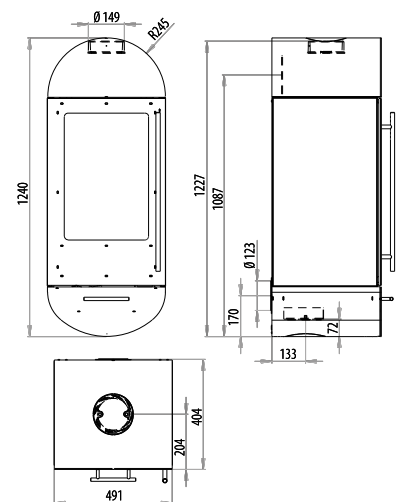
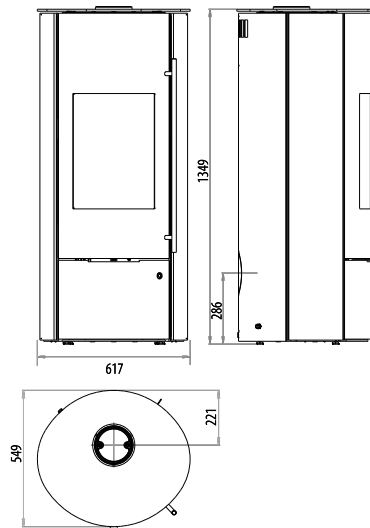
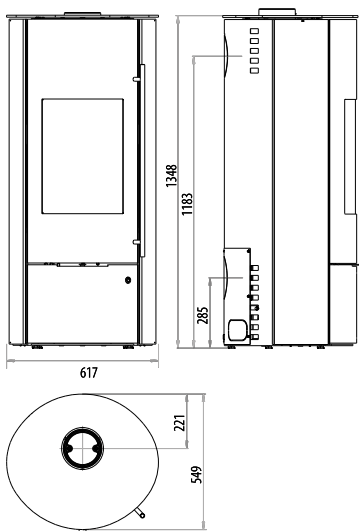
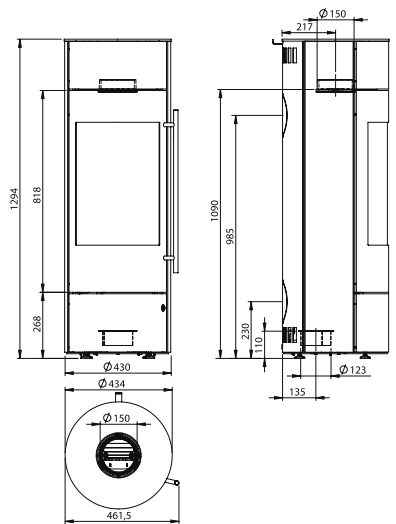
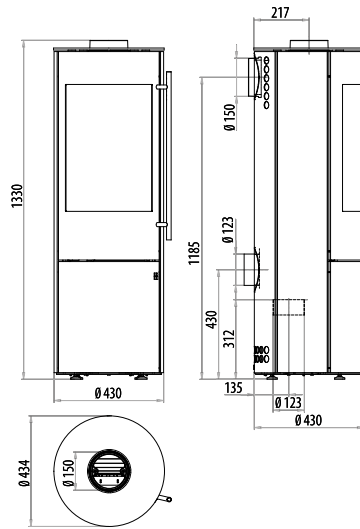
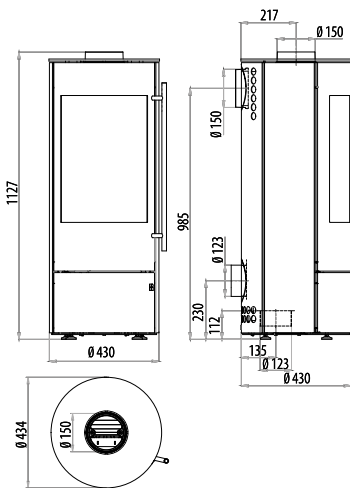
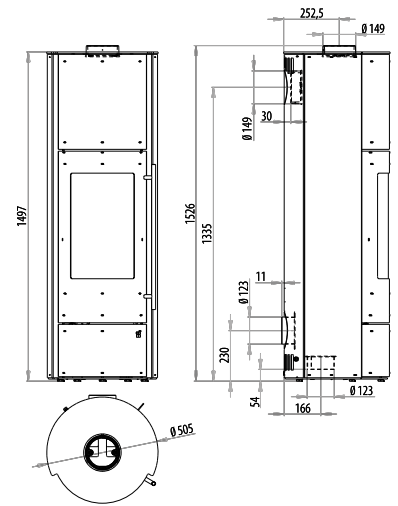
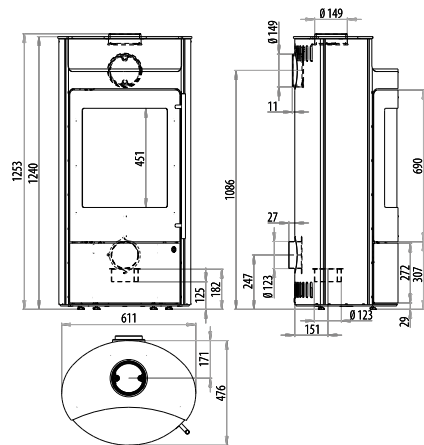
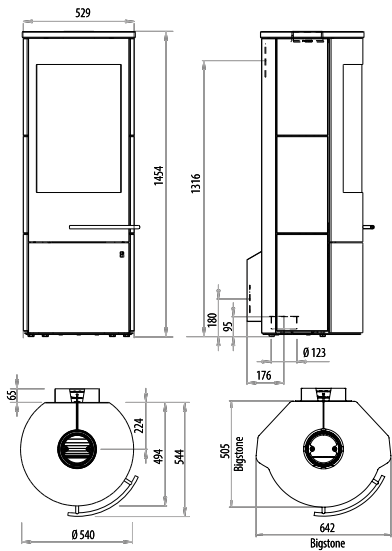


<p>Page <b>12</b></p> <p><b>Ipala Smart Compact</b> door opens to the right, with heat storer module</p> 	<p>Page <b>12</b></p> <p><b>Ipala Smart Compact</b> door opens to the left, with heat storer module, timber storage and storage top part</p> 	<p>Page <b>14</b></p> <p><b>Iriga Compact</b></p> 
<p>Page <b>70</b></p> <p><b>Levana (Pellet stove)</b></p> 	<p>Page <b>60</b></p> <p><b>Nevado Aqua Compact</b></p> 	<p>Page <b>16</b></p> <p><b>Nuevo natural stone</b></p> 
<p>Page <b>16</b></p> <p><b>Nuevo steel</b></p> 	<p>Page <b>18</b></p> <p><b>Osorno</b></p> 	<p>Page <b>22</b></p> <p><b>Osorno L</b> left side version</p> 





Page <b>28</b>	Page <b>28</b>	Page <b>34</b>
<p align="center"><b>Palena Compact</b></p> <p>Technical drawings of the Palena Compact oven. Front view shows a height of 1203 mm and a width of 460 mm. Side view shows a depth of 1719 mm and a base offset of 240 mm. Top view shows a depth of 135 mm and a circular cutout with a diameter of 470 mm.</p>	<p align="center"><b>Palena Plus Compact</b></p> <p>Technical drawings of the Palena Plus Compact oven. Front view shows a height of 1403 mm and a width of 460 mm. Side view shows a depth of 1419 mm and a base offset of 240 mm. Top view shows a depth of 135 mm and a circular cutout with a diameter of 470 mm.</p>	<p align="center"><b>Petacas Compact</b></p> <p>Technical drawings of the Petacas Compact oven. Front view shows a height of 1235 mm and a width of 486 mm. Side view shows a depth of 1235 mm and a base offset of 240 mm. Top view shows a depth of 123.5 mm and a circular cutout with a diameter of 123 mm.</p>
Page <b>36</b>	Page <b>36</b>	Page <b>36</b>
<p align="center"><b>Pular Compact</b></p> <p>Technical drawings of the Pular Compact oven. Front view shows a height of 1205 mm and a width of 519 mm. Side view shows a depth of 1081 mm and a base offset of 243 mm. Top view shows a depth of 135 mm and a circular cutout with a diameter of 472 mm.</p>	<p align="center"><b>Pular Plus Compact</b></p> <p>Technical drawings of the Pular Plus Compact oven. Front view shows a height of 1405 mm and a width of 519 mm. Side view shows a depth of 1281 mm and a base offset of 243 mm. Top view shows a depth of 135 mm and a circular cutout with a diameter of 472 mm.</p>	<p align="center"><b>Pular PowerBloc! Compact</b></p> <p>Technical drawings of the Pular PowerBloc! Compact oven. Front view shows a height of 1509 mm and a width of 519 mm. Side view shows a depth of 1081 mm and a base offset of 243 mm. Top view shows a depth of 135 mm and a circular cutout with a diameter of 472 mm.</p>
Page <b>38</b>	Page <b>40</b>	Page <b>40</b>
<p align="center"><b>Salado Compact</b></p> <p>Technical drawings of the Salado Compact oven. Front view shows a height of 1286 mm and a width of 621 mm. Side view shows a depth of 1081 mm and a base offset of 247 mm. Top view shows a depth of 247 mm and a circular cutout with a diameter of 150 mm.</p>	<p align="center"><b>Sotara Compact (ceramic)</b></p> <p>Technical drawings of the Sotara Compact (ceramic) oven. Front view shows a height of 1225 mm and a width of 650 mm. Side view shows a depth of 1047 mm and a base offset of 209 mm. Top view shows a depth of 273 mm and a circular cutout with a diameter of 149 mm.</p>	<p align="center"><b>Sotara Compact (natural stone)</b></p> <p>Technical drawings of the Sotara Compact (natural stone) oven. Front view shows a height of 1246 mm and a width of 616 mm. Side view shows a depth of 1047 mm and a base offset of 209 mm. Top view shows a depth of 273 mm and a circular cutout with a diameter of 149 mm.</p>



# Technical overview

Page	4	4	7	8	11	11	12	12	15	17	18	20	22
Modell	ALEGRE COMPACT	ALEGRE POWERBLOC: COMPACT	ARACAR COMPACT	CALDERA II COMPACT	IPALA COMPACT	IPALA COMPACT + HEAT STORER	IPALA SMART COMPACT	IPALA SMART COMPACT + HEAT STORER	IRIGA COMPACT	NUEVO	OSORNO	OSORNO S	OSRONOL
Art. No.	41/62xx	41/62xx	41/60xx	23/746xx	23/69xx	23/69xx	23/78xx	23/78xx	23/645x	23/726x	41/616x	41/64xx	41/63xx
Nominal heating capacity in kW	5	5	5	6	5	5	5	5	5	5	8	5,7	7,8
Power range in kW	3 - 7	3 - 7	3 - 7	3 - 8	3 - 6	3 - 6	3 - 6	3 - 6	3 - 7	3 - 7	6 - 10	4 - 8	6 - 10
Heating capacity (m <sup>3</sup> )	85	85	85	100	85	85	85	85	85	85	135	135	100
Rotating **													
Modular system			√		√	√	√	√			√	√	√
Heat storage stone (storage mass in kg)						60		60			100	65	100
Claddings, gross weight (in kg)													
Steel			200	164	170	230	170	230	175	132	285	230	298
Ceramic	270	415		194					180				
Natural stone				224					208	214	380	313	401
Sandstone				330									
Special ceramic versions													
Dimensions (in mm)													
Height	1351	1793	1762	1307	1302	1740	1418	1759	1300	1091	1749	1749	1762
Width	648	648	605	568	440	440	425	425	560	460	770	620	810
Depth	442	442	660	471	440	440	425	425	410	437	500	500	524
Flue connecting piece dimensions (in mm) 150 mm													
above <sup>1)</sup> (height)	1313	1313	1370	1309	1320	1320	1447	1447	1319	1122	1296	1296	1301
behind <sup>2)</sup> (height)	1173	1173	---	1180	1186	1186	1305	1305	1178	985	1441	1441	1445
Combustion air connecting piece dimensions (in mm) 125 mm													
below <sup>3)</sup>	152	152	421	150	222	222	136	136	199	---	157	157	162
behind <sup>2)</sup>	256	256	130	240	247	247	403	403	360	260	292	292	297
Combustion chamber opening (Height in mm)	402	402	298	312	312	312	404	404	428	298	312	312	312
Combustion chamber opening (Width in mm)	338	338	362	200	200	200	314	314	343	362	200	200	200
Combustion chamber size (Height in mm)	515	515	457	375	375	375	520	520	550	457	375	375	375
Combustion chamber size (Width in mm)	330	330	354	228	228	228	346	346	334	354	228	228	228
Combustion chamber size (Depth in mm)	310	310	354	170	170	170	227	227	343	354	170	170	170
Distance from wall, rear (mm)	25	25	0	100	100	100	100	100	250	200	100	100	100
Distance from wall, sides (mm)*	150	150	0	100	100	100	100	100	200	200	100	100	100 <sup>9)</sup>
Distance from wall, front (mm)													
Waste gas mass flow (g/s)	4,2	4,2	4,1	6,3	4,1	4,1	4,2	4,2	4,2	3,8	7,4	4,9	7,6
Flue gas temperature of connecting piece (°C)	273	273	339	310	339	339	257	257	330	343	225	258	229
Necessary delivery pressure for nominal heat capacity (Pa)	12	12	12	12	12	12	12	12	12	12	12	12	12
Combustion air feed: ambient air independent	√	√	√	√	√	√	√	√	√	---	---	---	---
Combustion air feed: external										√	√	√	√
Multi verification ambient air-independent <sup>8)</sup>	√	√	√	√	√	√	√	√	√	√			
Mehrfachbelegung raumluftabhängig	√	√	√	√	√	√	√	√	√	√	√	√	√
Fulfilled requirements													
HKI CERT	√	√	√	√	√	√	√	√	√	√	√	√	√
15a	√	√	√	√	√	√	√	√	√	√	√	√	√
VKF	√	√	√	√	√	√	√	√	√	√	√	√	√
Building inspectorate authorisation (DIBT authorisation)	Z43.12-436	Z43.12-436	Z43.12-398	Z43.12-215	Z43.12-398	Z43.12-398	pending	pending	Z43.12-393	-	-	-	-
Energy efficiency class	A+	A+	A	A+	A+	A+	A+	A+	A+	A	A+	A+	A+

\* Necessary distance from wall when installed in front of (flammable) walls needing protection.

\*\* With turntable, operation is dependent on ambient air. Flue tube connection at the back is not possible.

\*\*\* Depending on the design, see the technical data on our homepage: [www.olsberg-ofen.com](http://www.olsberg-ofen.com)

1) Height required for installation up to the top of the connecting piece

2) Height required for installation up to the middle of the connecting piece

3) Stove rear to the middle of the connecting piece

4) When using the turntable, please observe the notes in the instructions on our website

6) 45° corner installation = 200

7) 45° corner installation = 140

8) Compact can be used in conjunction with an approved ventilation system without the need for additional safety devices. The stoves fire door is self-closing and is therefore approved for connection to flue's with multiple connections. For the combustion air inlet, which is independent of ambient air, an easy adaptation of the flue needs to be made, which can be discussed with your local installation engineers.

9) 800 glass side



	25	27	28	28	32	30	35	37	37	37	39	41	42	45	47	46	50	53	54	57	
	PACAYA COMPACT	PACAYA PLUS COMPACT	PALENA COMPACT	PALENA PLUS COMPACT	PALENA PLUS + SD COMPACT	PALENA POWERBLOCI COMPACT	PETACAS COMPACT	PULAR COMPACT	PULAR PLUS COMPACT	PULAR POWERBLOCI COMPACT	SALADO COMPACT	SOTARA COMPACT	TACORA COMPACT	TECAPA II COMPACT	TENORIO PWOERSYSTEM COMPACT	TIPAS COMPACT II / III	TIPAS PLUS COMPACT	TIPAS POWERBLOCI COMPACT	TOLIMA POWERSYSTEM II COMPACT	TURINA LINA COMPACT	
	23/705x	23/705x	23/575x	23/577x		23/576x	23/7751	23/7351	23/7361		23/796x	23/586x	23/597x	23/756x	23/684x	23/66xx	23/668x	23/6691	23/766x	23/625x	
	6	6	5	5	5	5	5	5	5	5	6	6	6	6	5	4	4	4	4	6	5
	3-8	3-8	3-7	3-7	3-7	3-7	3-7	3-7	3-7	3-7	3-8	3-8	3-8	3-8	2-6	2-6	2-6	2-6	3-8	3-7	
	100	100	85	85	85	85	85	85	85	85	100	100	100	100	85	65	65	65	100	85	
			√	√		√		√	√	√						√	√	√			
	√	√					√														
						50				50								39	75		
			144	150	160	258	140	142	150	200	190		200	190	251	125	135	175	310	164	
275/320/365	296/341/385	154	160	170	268			152	160	210	262	262	243	212	261	150	154	193	350	185	
		164	170	180	278			162	170	220	304	304	259	226	271	160	165	204	400	189	
													259								
	1240***	1410***	1203	1405	1405	1514	1250	1205	1405	1504	1242	1225	1438	1240	1497	1100	1300	1294	1366	1240	
	574	574	472	472	472	472	486	472	472	472	630	650	540	611	505	430	430	430	622	491	
	574	574	472	472	472	472	426	472	472	472	535	557	494	476	505	430	430	430	560	404	
	***	***	1219	1419	1419	1219	1275	1218	1418		1247	1134	1455	1253	1526	1127	1330	1127	1376	wählbar	
	***	***	1079	1279	1279	1371	1123	1081	1281		1086	1047	1316	1086	1335	985	1185	985	---	wählbar	
	163	163	135	135	135	135	268	135	135	135		55	37	126	54	52	52	52	146	72	
	247	247	240	240	240	247	247	243	443		230	209	180	247	230	230	430	230	286	wählbar	
	364	364	482	482	482	482	405	492	492	492	350	320	483	378	343	343	343	343	405	402	
	330	330	350	350	350	350	274	330	330	330	430	290	350	368	295	295	295	295	333	338	
	483	483	532	532	532	532	515	570	570	570	470	420	532	530	472	472	472	472	520	515	
	330	330	330	330	330	330	336	330	330	330	420	300	355	368	295	295	295	295	346	330	
	430	430	370	370	370	370	350	370	370	370	410	340	395	370	350	350	350	350	335	310	
	280	280	150	150	150	150	200	100	100	100	200	100	150	250	150	150	150	150	100	0	
	350	350	200 <sup>4)</sup>	200 <sup>4)</sup>	200 <sup>4)</sup>	200 <sup>4)</sup>	200	250	250	250	200	100	150	370	270 <sup>7)</sup>	200 <sup>4)</sup>	200 <sup>4)</sup>	200 <sup>4)</sup>	150	170	
	5,8	5,8	4,5	4,5	4,5	4,5	4,2	3,7	3,7	3,7	5,4	5,1	5,4	4,6	4,7	4,4	4,4	4,4	5,1	4,7	
	336	336	330	330	330	330	350	328	328	328	300	300	280	323	250	358	358	358	305	367	
	12	12	12	12	12	12	12	12	12	12	12	12	12	12	12	12	12	12	12	12	
	√	√	√	√	√	√	√	√	√	√	√	√	√	√	√	√	√	√	√	√	
	√	√		√	√	√	√	√	√	√	√	√		√	√	√	√	√		√	
	√	√	√	√	√	√	√	√	√	√	√	√	√	√	√	√	√	√	√	√	
	√	√	√	√	√	√	√	√	√	√	√	√	√	√	√	√	√	√	√	√	
Z43.12-398	Z43.12-248	Z43.12-248	Z43.12-248	pending	Z43.12-248	Z43.12-398	Z43.12-421	Z43.12-421	Z43.12-421	pending	Z43.12-249	Z43.12-291	Z43.12-398	Z43.12-398	Z43.12-379	Z43.12-379	Z43.12-379	Z43.12-379	Z43.12-247	Z43.12-345	
A	A	A	A	A	A	A+	A+	A+	A+	A+	A+	A+	A+	A+	A+	A+	A+	A+	A+	A+	

Subject to construction modifications and errors.

Copyright®  
All rights reserved. Copying, distribution and use in electronic media, either as a whole or in part, only with our express permission. Our general terms and conditions apply.

All appliances are tested according to EN 13240, meet the limit values of the first BImSchV (Federal Emission Control Act) level 2 and may therefore be operated with no time limitation.





## Watercarrying chimney stoves



## Pellet Stoves

Page	61	62	67	68	71	71	71
<b>Modell</b>	NEVADO AQUA COMPACT	TOLIMA AQUA II COMPACT	ARINA	INARA	LEVANA	LEVANA WITH CONVECTION BLOWER	LEVANA AQUA
<b>Artikel-Nr.</b>	23/638x	23/758x	43/156x	43/166x	43/148x	43/147x	43/149x
Nominal heating capacity in kW	8	8 + 10	6	6	6	8	8
Power range in kW	4 - 10	5 - 12	2,1 - 6	2,1 - 6	2,1 - 6	2,4 - 8	2,4 - 8
Heating capacity (m <sup>3</sup> )	85	100					
Watercarrying chimney stoves	√	√					√
Pellet stoves			√	√	√	√	√
Modular system							
Heat storage stone (storage mass in kg)							
<b>Claddings, gross weight (in kg)</b>							
Steel	260	240		125	125	125	131
Ceramic	293	260	170	160	160	160	168
Natural stone	357	305	180	170	170	170	176
Sandstone							
Special ceramic versions							
<b>Dimensions (in mm)</b>							
Height	1548	1348	1116	1136	1116	1116	1116
Width	546	617	483	490	490	490	482
Depth	526	549	488	482	482	482	481
<b>Flue connecting piece dimensions (in mm) 150 mm</b>			D=80 mm	D=80 mm	D=80 mm	D=80 mm	D=80 mm
above <sup>1)</sup> (height)	1576	1376					
behind <sup>2)</sup> (height)	1383	1178	130	130	130	130	130
<b>Combustion air connecting piece dimensions (in mm) 125 mm</b>							
below <sup>3)</sup>	172	146					
behind <sup>2)</sup>	251	285	130	130	130	130	130
Combustion chamber opening (Height in mm)	300	405	312	312	312	312	312
Combustion chamber opening (Width in mm)	390	333	200	200	200	200	200
Combustion chamber size (Height in mm)	444	520	375	375	375	375	375
Combustion chamber size (Width in mm)	420	346	228	228	228	228	228
Combustion chamber size (Depth in mm)	290	335	170	170	170	170	170
Distance from wall, rear (mm)	300	120	100	100	100	100	100
Distance from wall, sides (mm)*	180	100	100	100	100	100	100
Distance from wall, front (mm)							
Waste gas mass flow (g/s)	8,5	3,1	5,2	5,2	5,2	6	7,1
Flue gas temperature of connecting piece (°C)	260	265	125	125	125	138	122
Necessary delivery pressure for nominal heat capacity (Pa)	12	12	6	6	6	6	6
Combustion air feed: ambient air independent	√	√	√	√	√	√	√
Combustion air feed: external							
Multi verification ambient air-independent <sup>8)</sup>	√						
Mehrfachbelegung raumluftabhängig	√	√					
<b>Fulfilled requirements</b>							
HKI CERT	√	√	√	√	√	√	√
15a	√	√	√	√	√	√	√
VKF	√	√	√	√	√	√	√
Building inspectorate authorisation (DIBT authorisation)	Z43.11-350	Z43.11-228	Z43.12-352	Z43.12-352	Z43.12-352	Z43.12-352	Z43.11-415
Energy efficiency class	A+	A+	A+	A+	A+	A+	A+

1) Height required for installation up to the top of the connecting piece

2) Height required for installation up to the middle of the connecting piece

3) Stove rear to the middle of the connecting piece

8) Compact can be used in conjunction with an approved ventilation system without the need for additional safety devices. The stoves fire door is self-closing and is therefore approved for connection to flue's with multiple connections. For the combustion air inlet, which is independent of ambient air, an easy adaptation of the flue needs to be made, which can be discussed with your local installation engineers.

Subject to construction modifications and errors.

Copyright®

All rights reserved. Copying, distribution and use in electronic media, either as a whole or in part, only with our express permission. Our general terms and conditions apply.

All appliances are tested according to EN 13240, meet the limit values of the first BImSchV (Federal Emission Control Act) level 2 and may therefore be operated with no time limitation.



# Our ceramic versions

## OLSBERG Classic colours



## OLSBERG Design colours



## OLSBERG Caffè colours



## OLSBERG Trend colours



\* only available with Tolima Aqua Compact and Tolima PowerSystem Compact

\*\* only available with Tipas Plus Compact

ⓘ Please note: It is recommended to consult the information provided in the technical overview.  
Subject to change; colour deviations possible due to printing



Olsberg GmbH | Hüttenstraße 38 | D-59939 Olsberg  
Telefon: +49 (0)2962 / 805 - 0 | Telefax: +49 (0)2962 / 805 - 180  
[info@olsberg.com](mailto:info@olsberg.com) | [olsberg-ofen.com](http://olsberg-ofen.com)