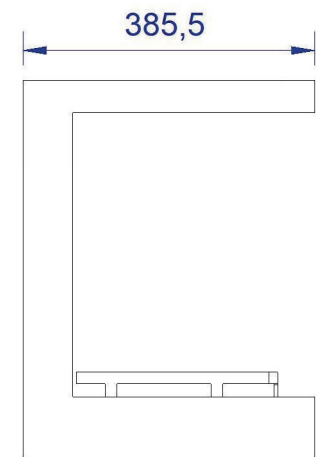
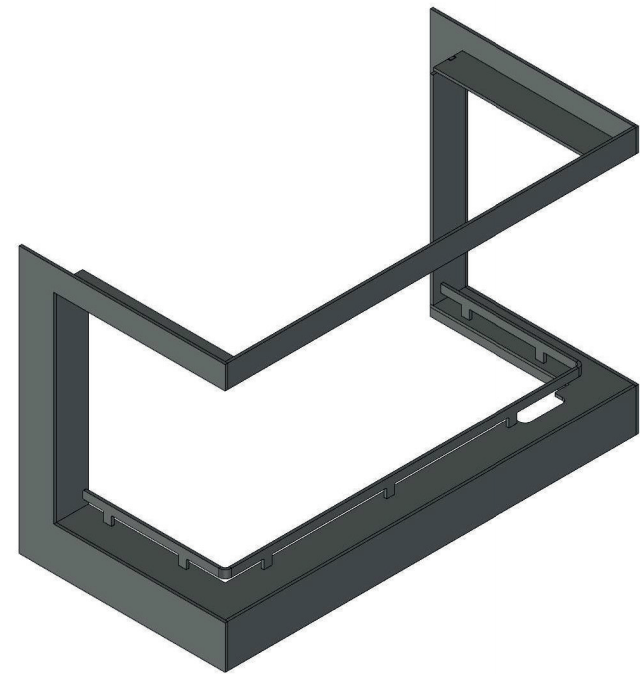
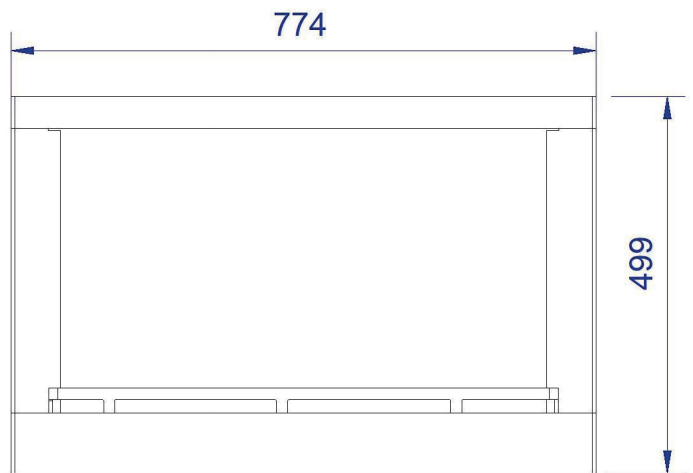
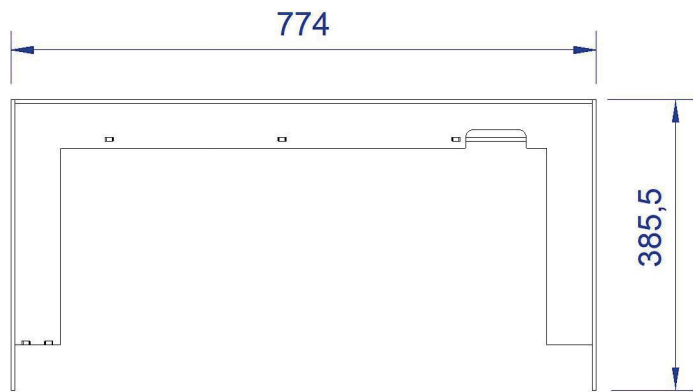

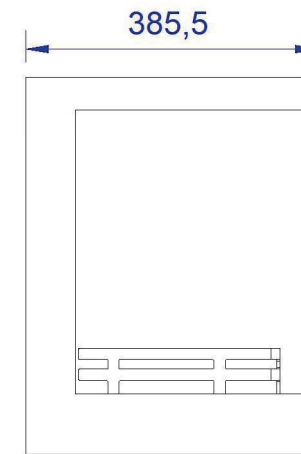
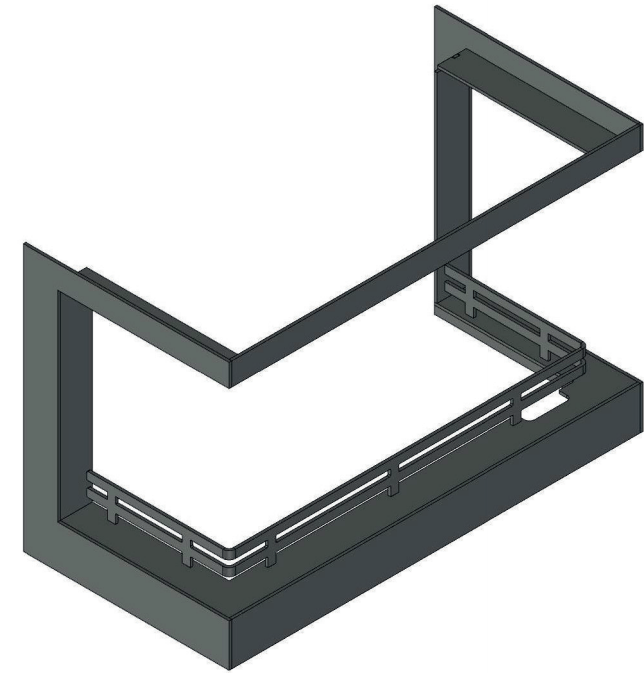
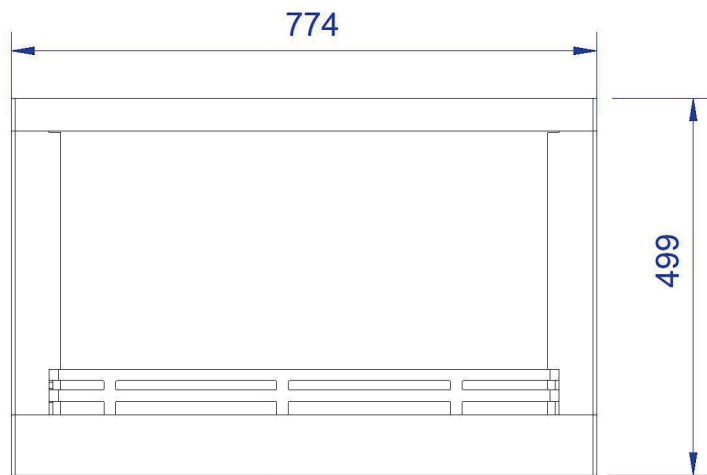
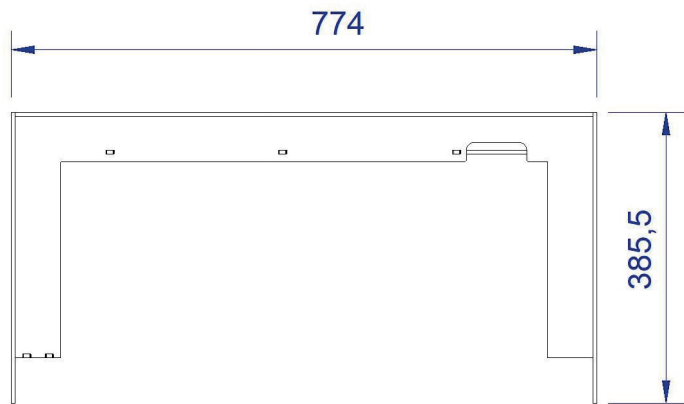



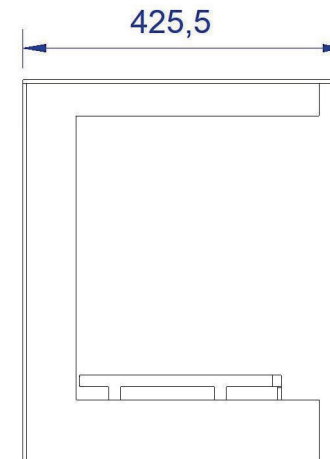
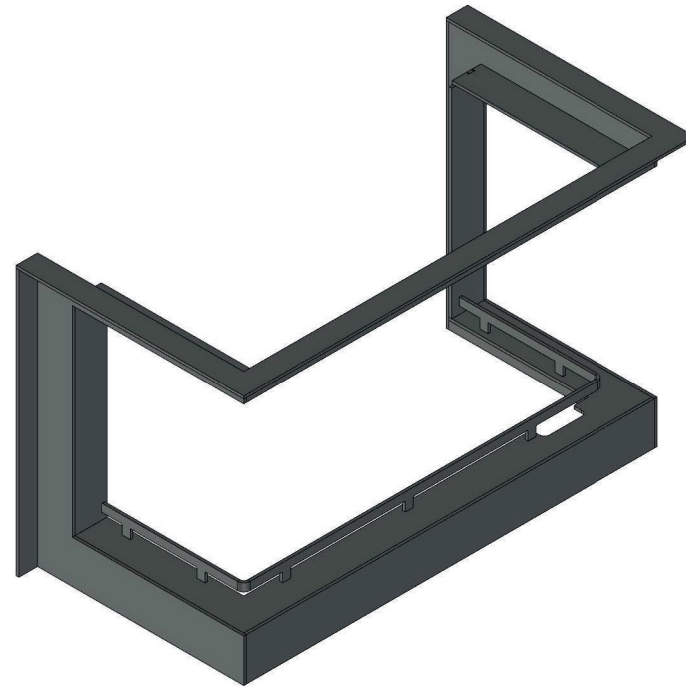
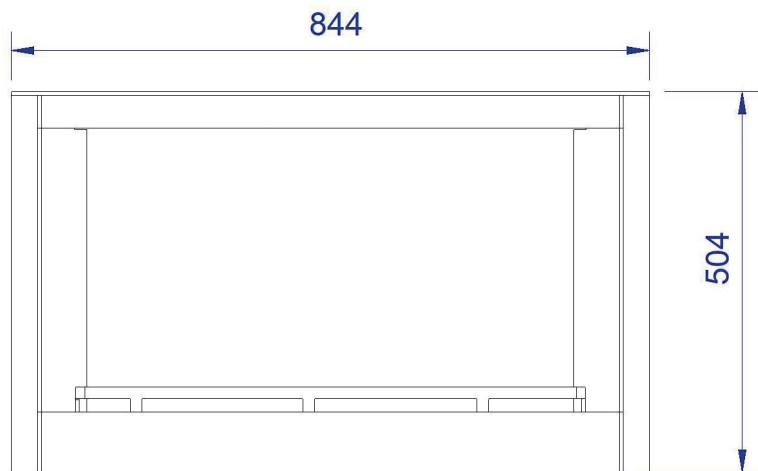
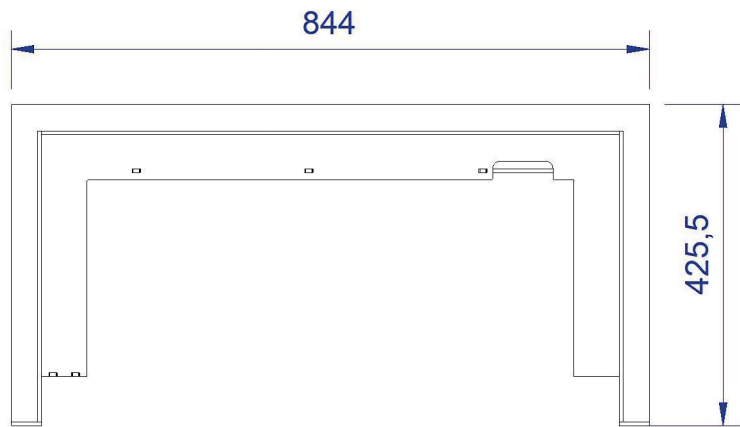
 FAIR FIRES	File Name: 3-zijde Verdiept inbouwkader 2 liggers.icd	Created Date:	
	Checked by: ... Approved by: ...	Sheet No: 1 (1)	Rev. ...




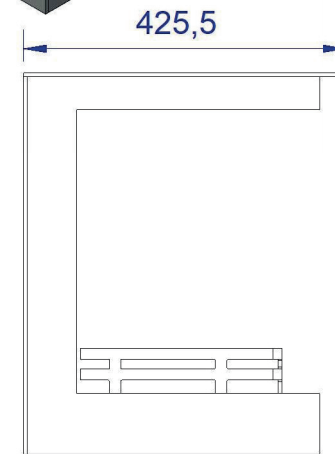
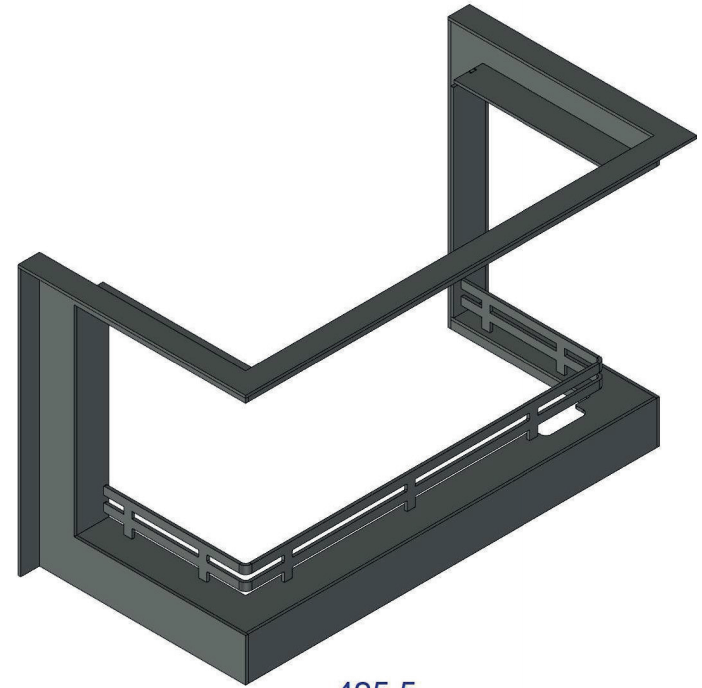
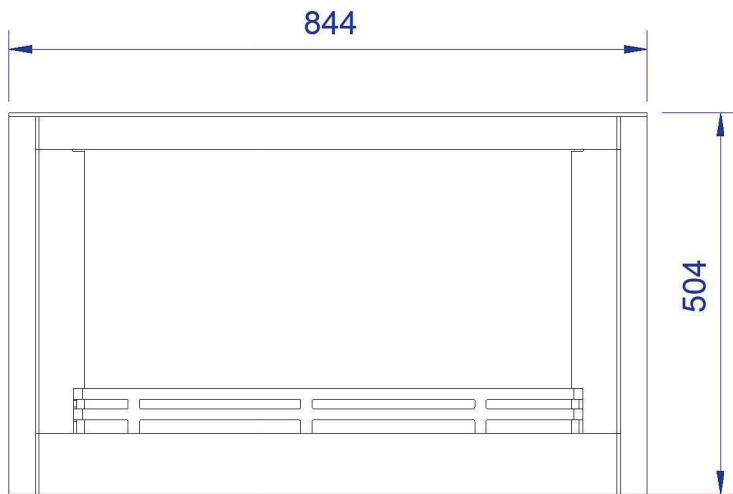
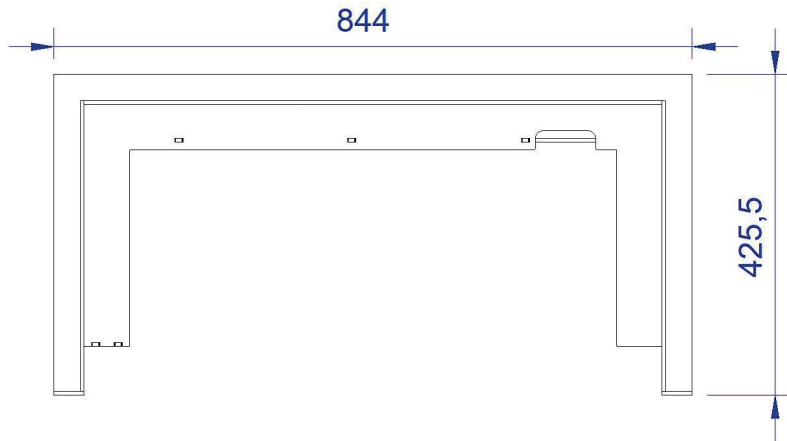
 FAIR FIRES	File Name: 3zijde Afwerklijst 1 ligger.icd	Created Date:	
	Checked by: ... Approved by: ...	Sheet No: 1 (1)	Rev. ...
		Doc. No:	




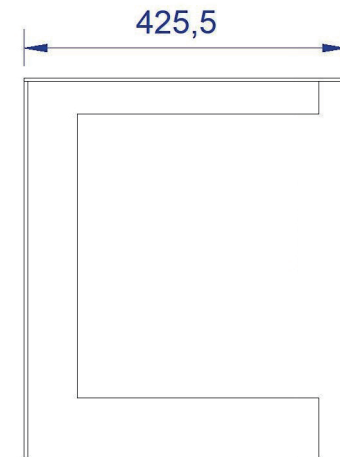
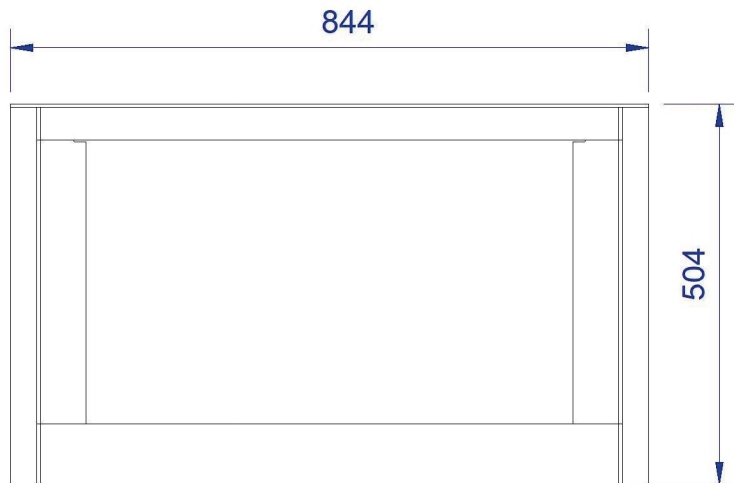
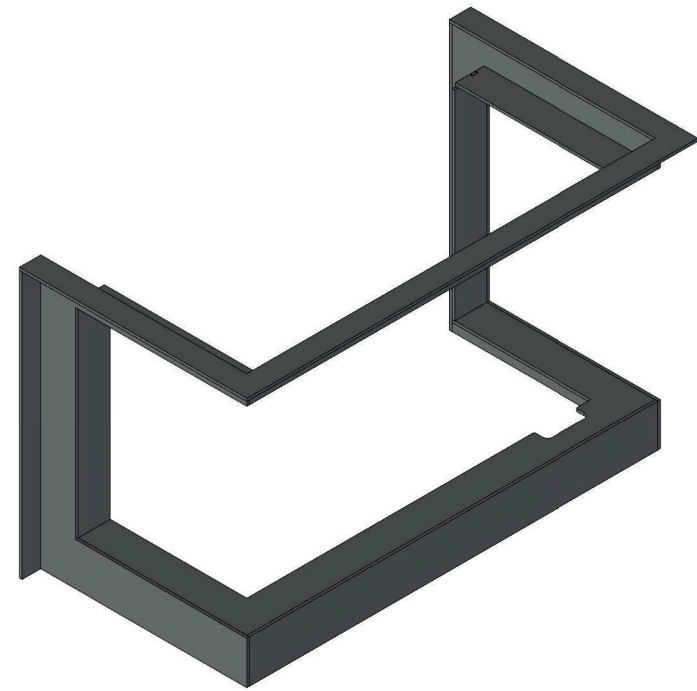
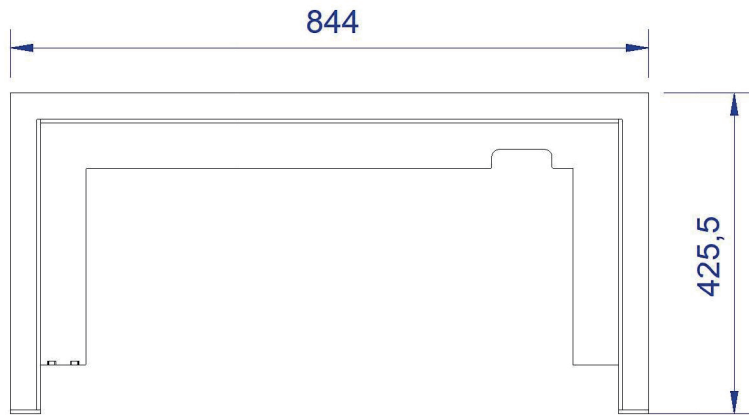
 FAIR FIRES	File Name: 3zijde Afwerklijst 2 liggers.icd	Created Date:	
	Checked by: ... Approved by: ...	Sheet No: 1 (1)	Rev. ...
		Doc. No:	




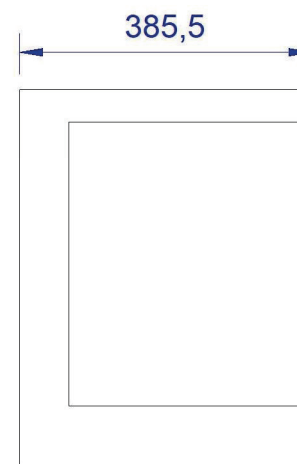
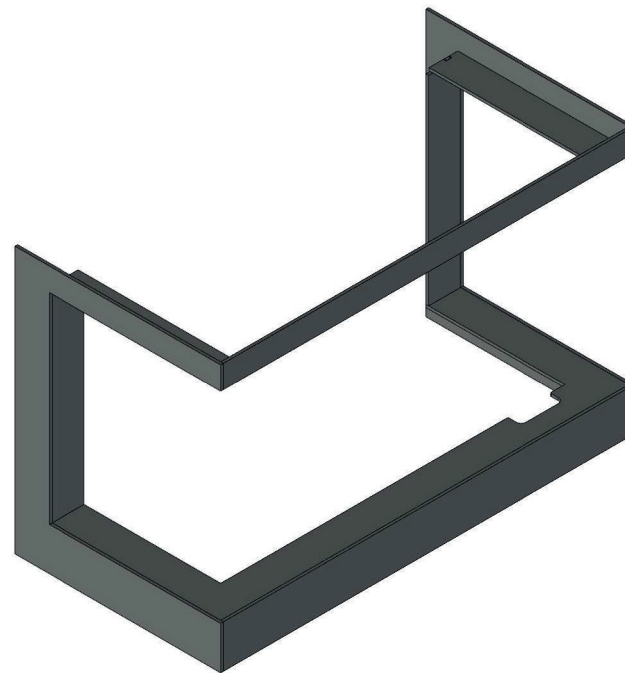
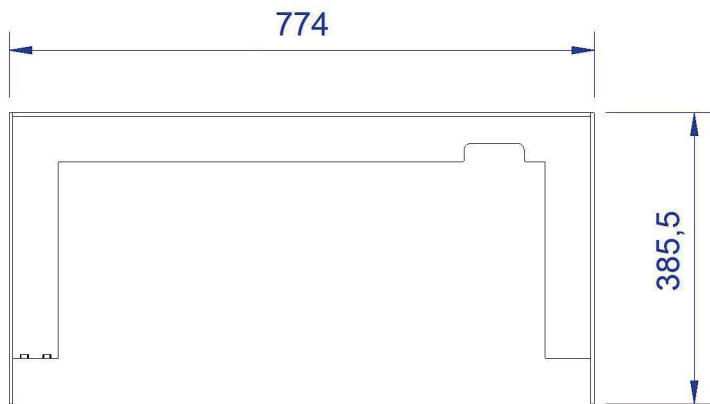
 FAIR FIRES	File Name: 3zijde Afwerklijst snuit 1 ligger.icd	Created Date:	
	Checked by: ... Approved by: ...	Sheet No: 1 (1)	Rev. ...




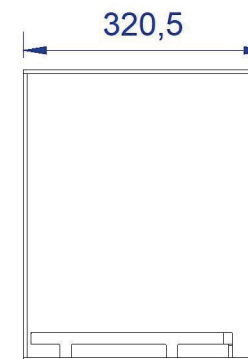
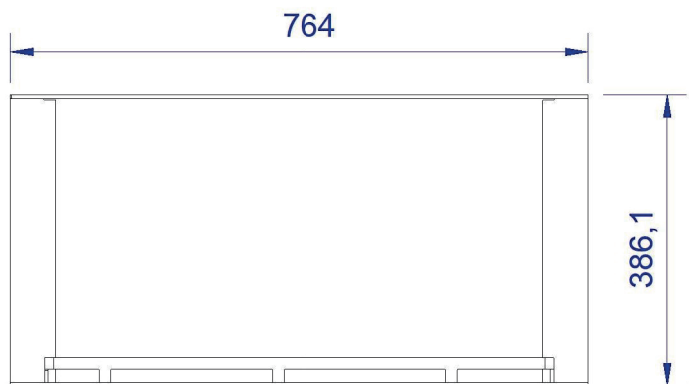
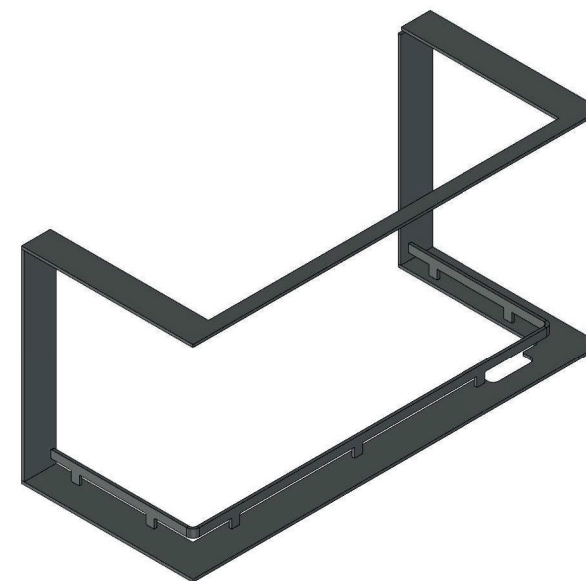
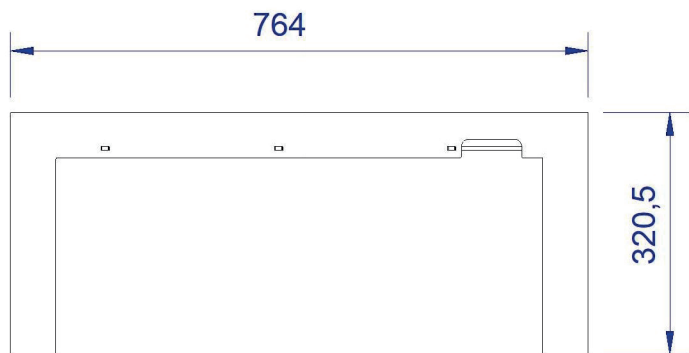
 FAIR FIRES	File Name: 3zijde Afwerklijst snuit 2 liggers.icd	Created Date:	
	Checked by: ... Approved by: ...	Sheet No: 1 (1)	Rev. ...
		Doc. No:	



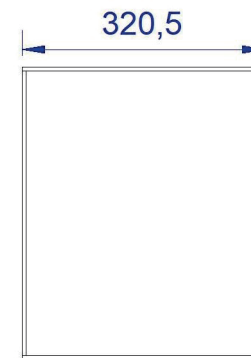
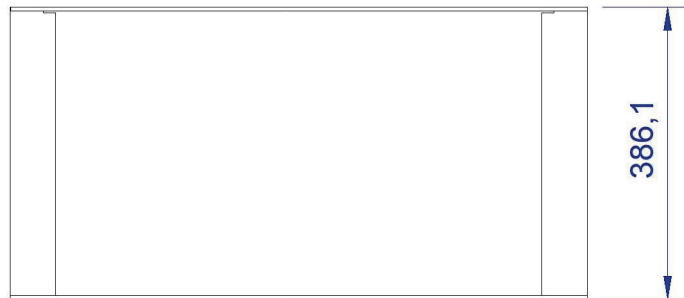
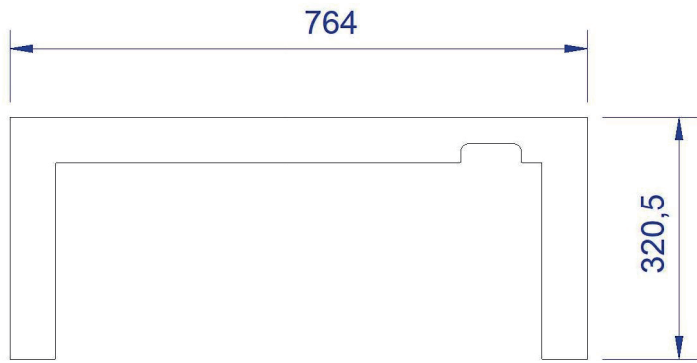
 FAIR FIRES	File Name: 3zijde Afwerklijst snuit.icd	Created Date:	
	Checked by: ... Approved by: ...	Sheet No: 1 (1)	Rev. ...
		Doc. No:	



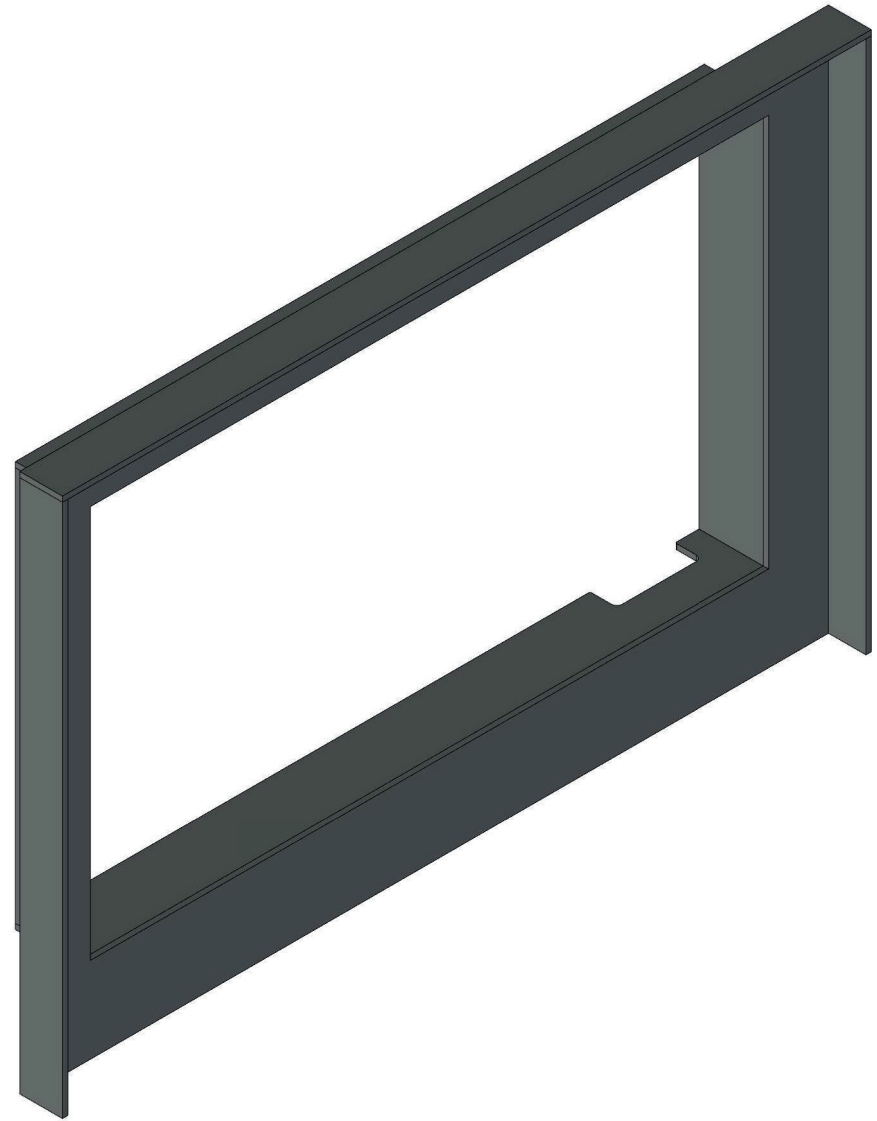
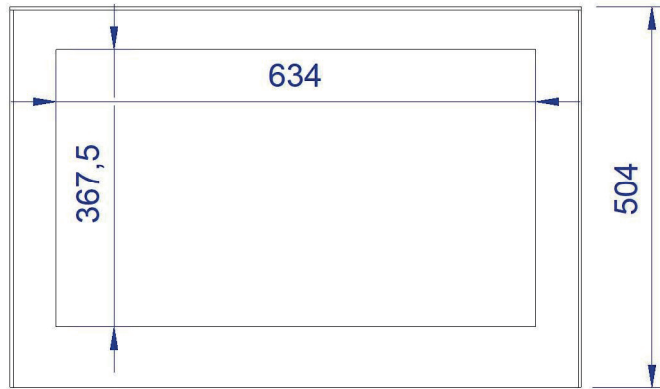
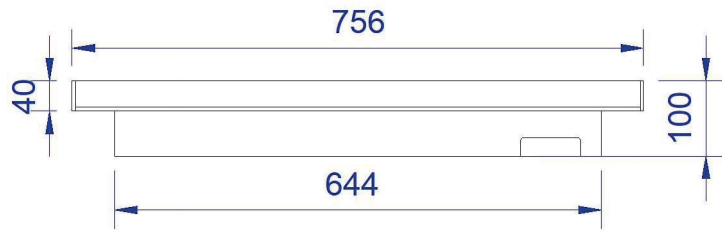
 FAIR FIRES	File Name: 3zijde Afwerklijst.icd	Created Date:	
	Checked by: ... Approved by: ...	Sheet No: 1 (1)	Rev. ...
		Doc. No:	



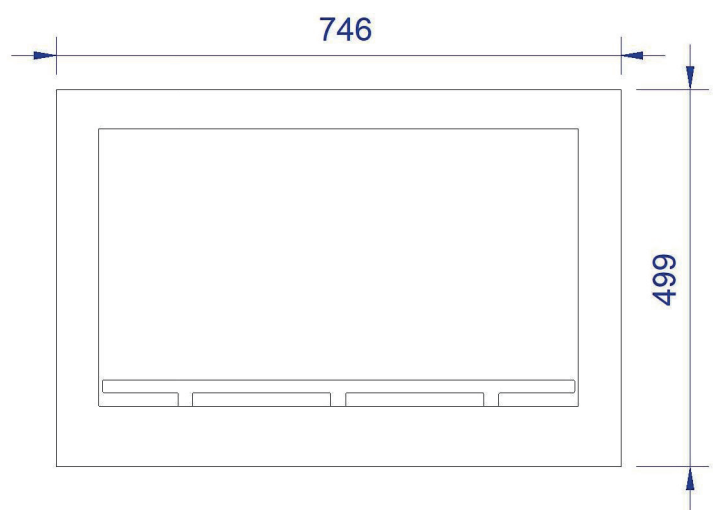
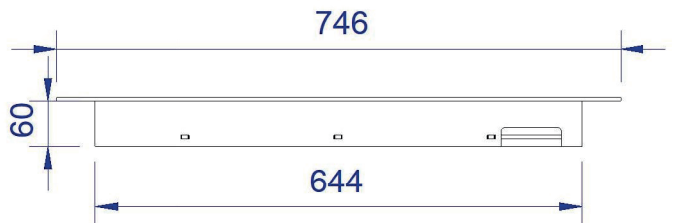
 FAIR FIRES	File Name: 3zijde Verdiept inbouwkader 1 ligger.icd	Created Date:	
	Checked by: ... Approved by: ...	Sheet No: 1 (1)	Rev. ...
		Doc. No:	




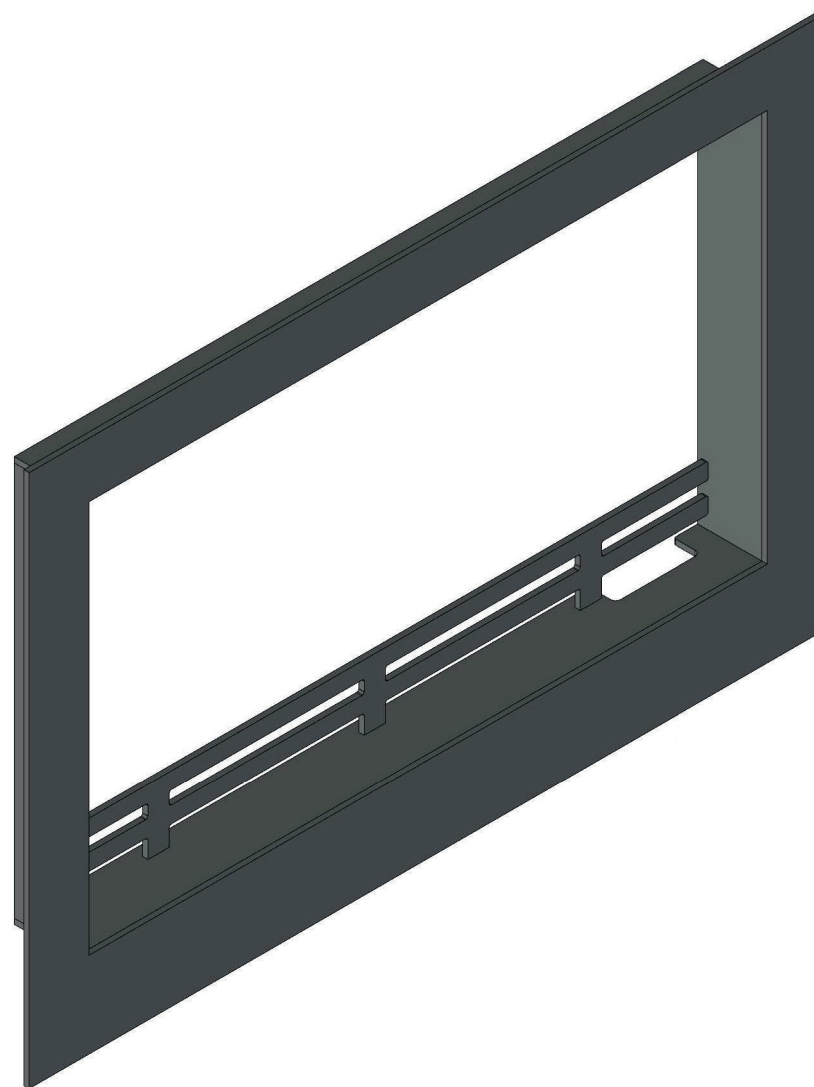
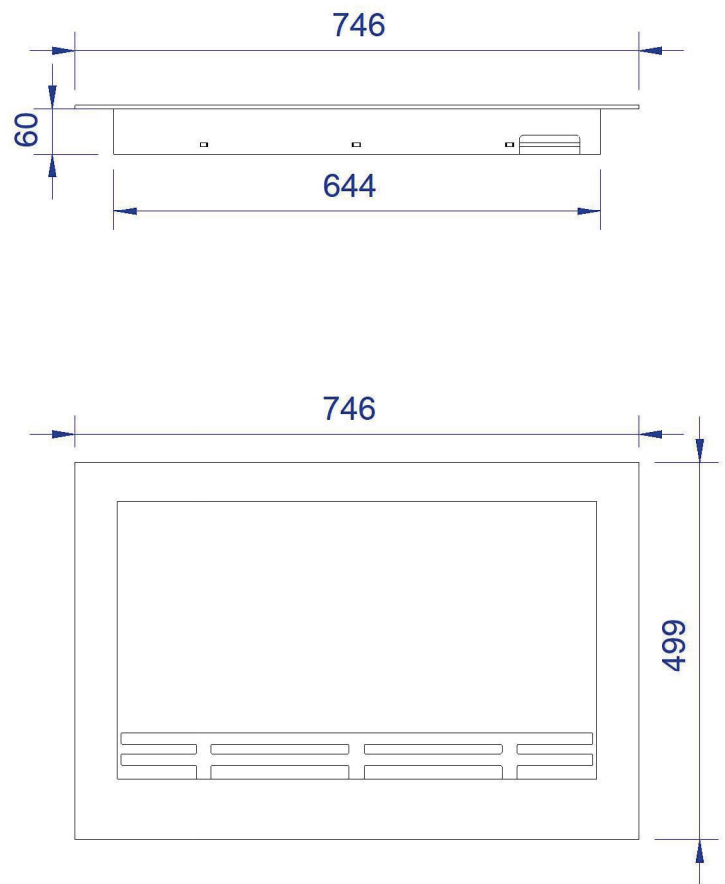
	File Name: 3zijde Verdiept inbouwkader.icd	Created Date:	
	Checked by: ...	Approved by: ...	Sheet No: 1 (1)
		Doc. No:	




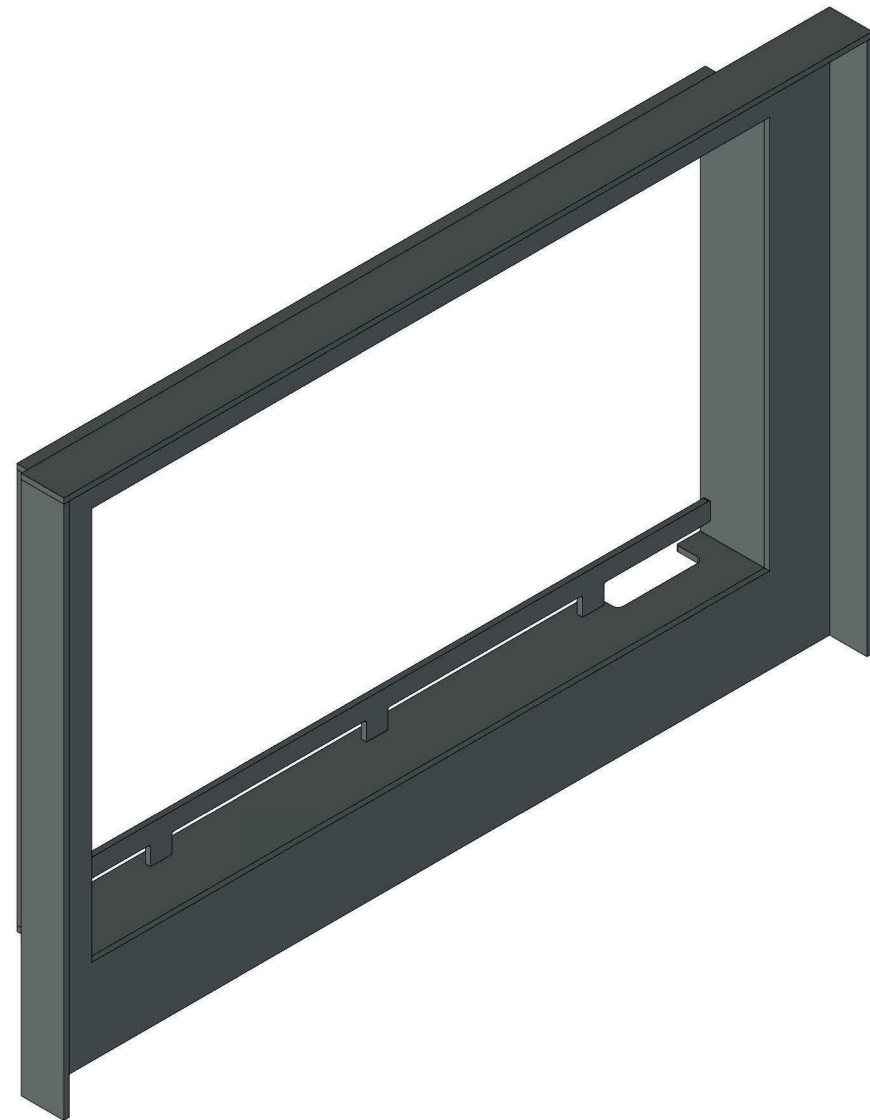
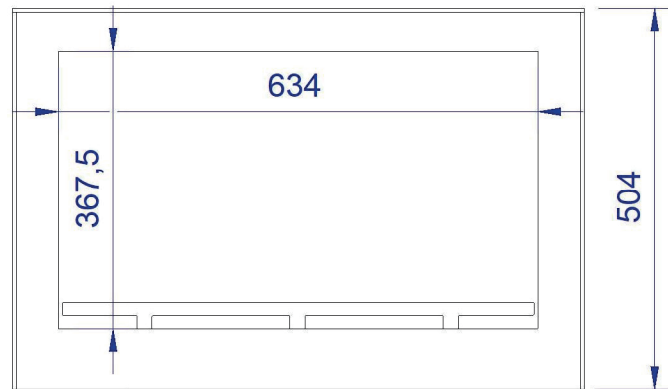
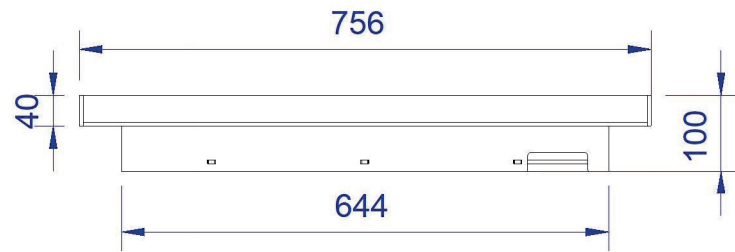
 FAIR FIRES	File Name: Front Afwerklijst met snuit.icd	Created Date:	
	Checked by: ... Approved by: ...	Sheet No: 1 (1)	Rev. ...
		Doc. No:	



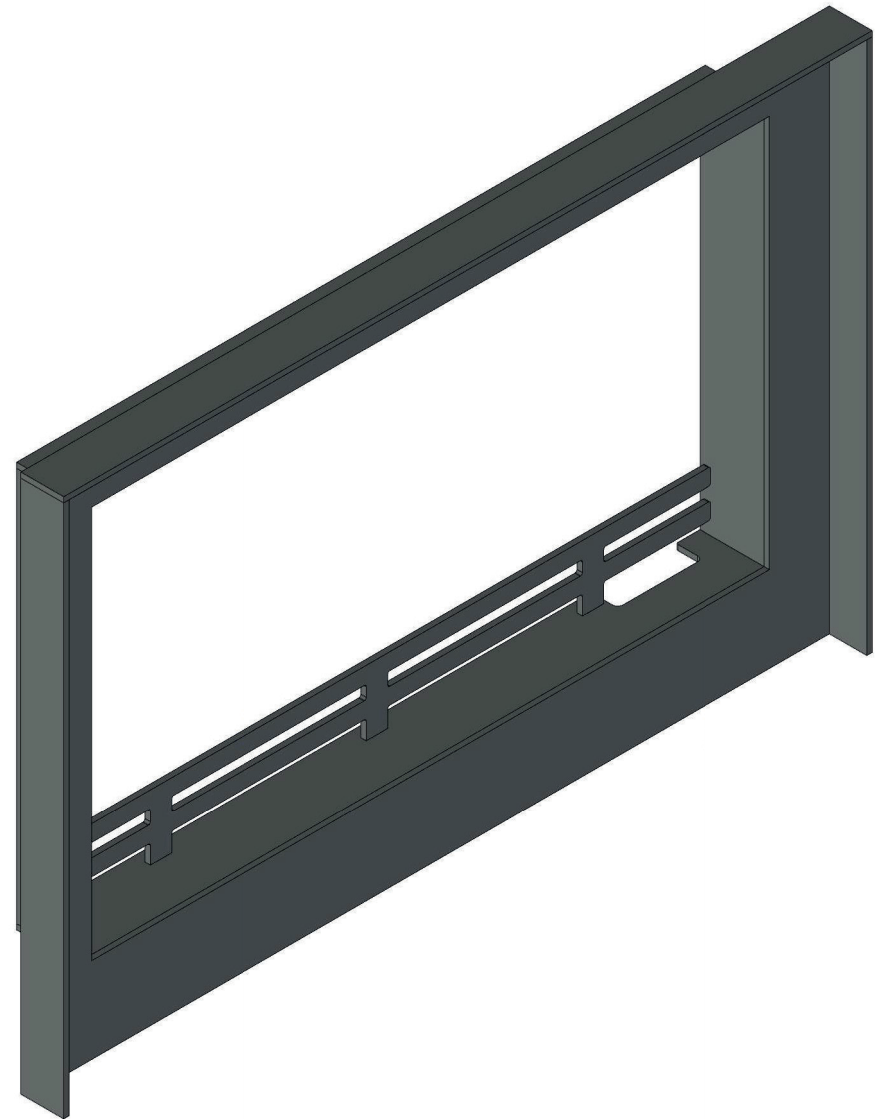
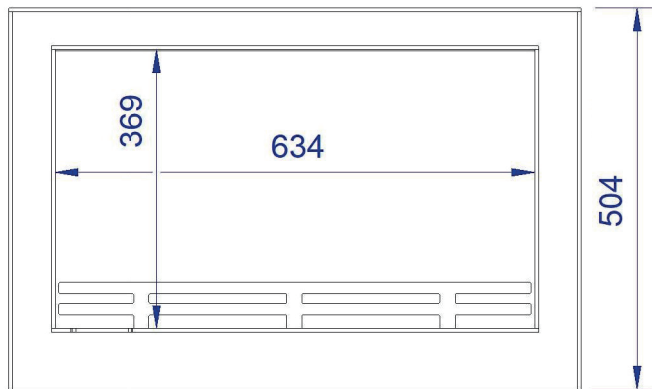
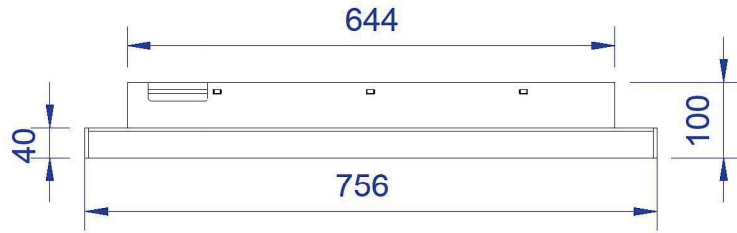
 FAIR FIRES	File Name: Front Afwerklijst 1 ligger.icd	Created Date:	
	Checked by: ... Approved by: ...	Sheet No: 1 (1)	Rev. ...
		Doc. No:	




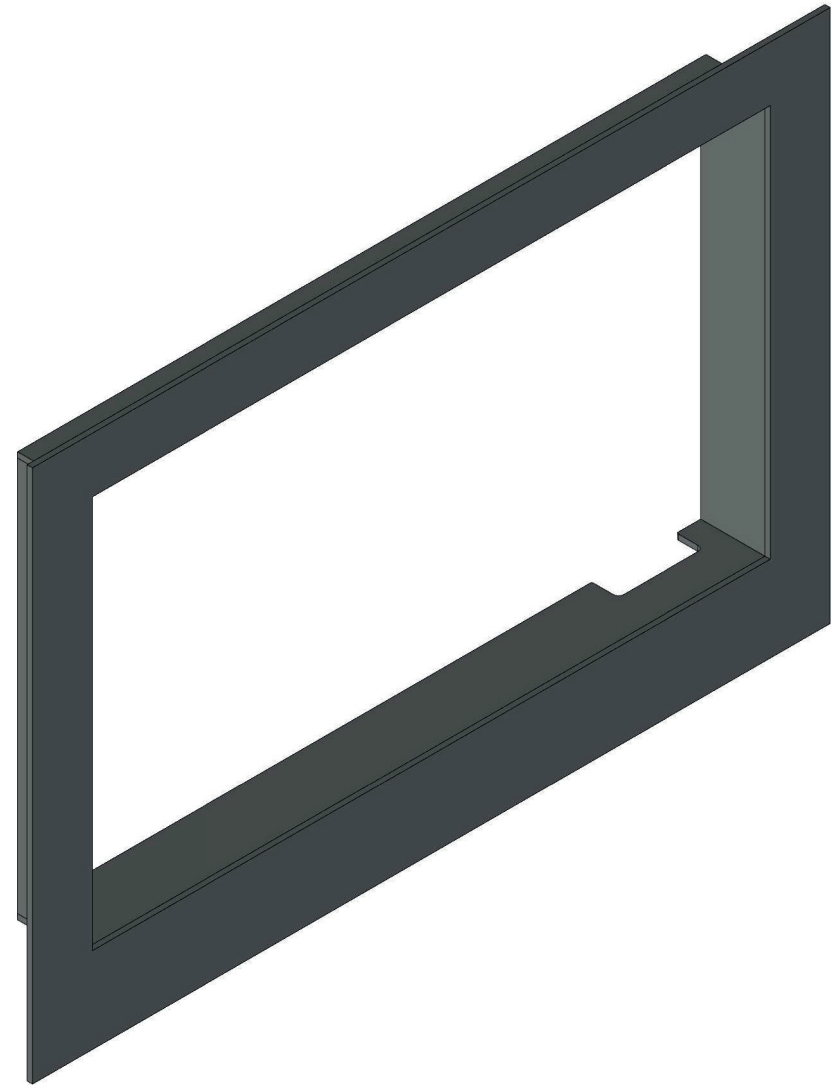
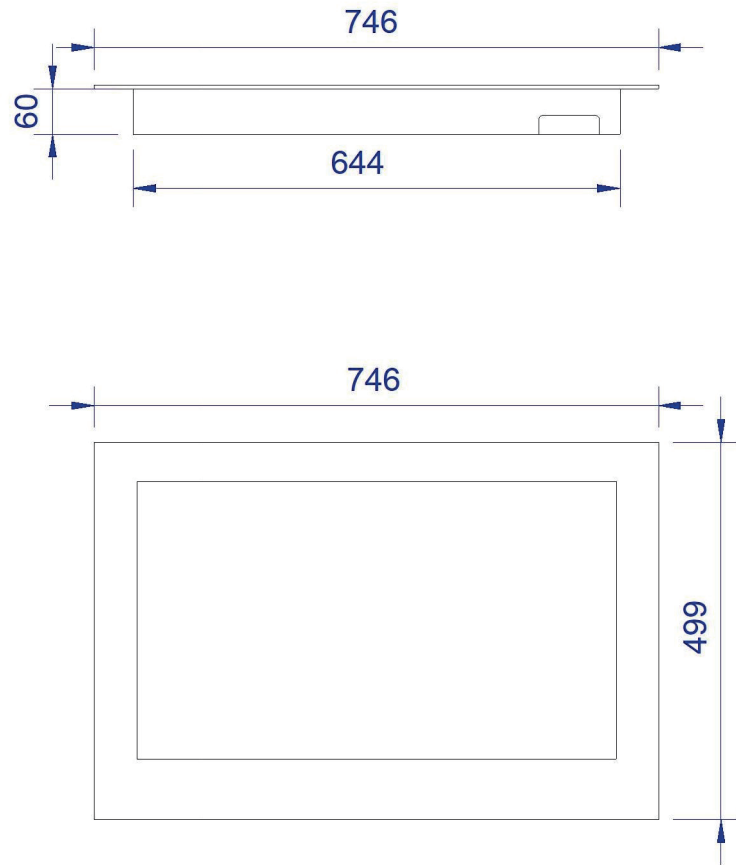
 FAIR FIRES	File Name: Front Afwerklijst 2 liggers.icd	Created Date:	
	Checked by: ...	Approved by: ...	Sheet No: 1 (1)
			Rev. ...
		Doc. No:	



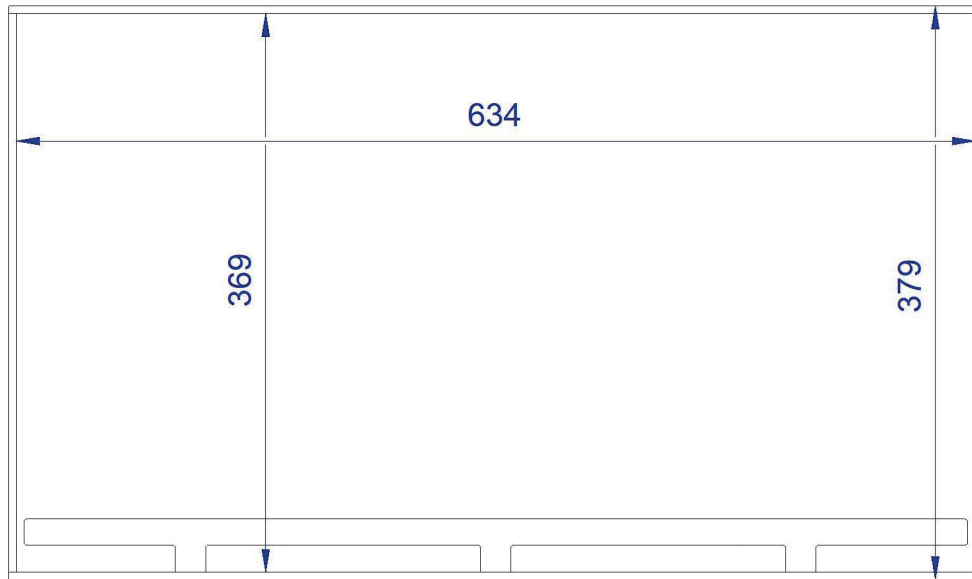
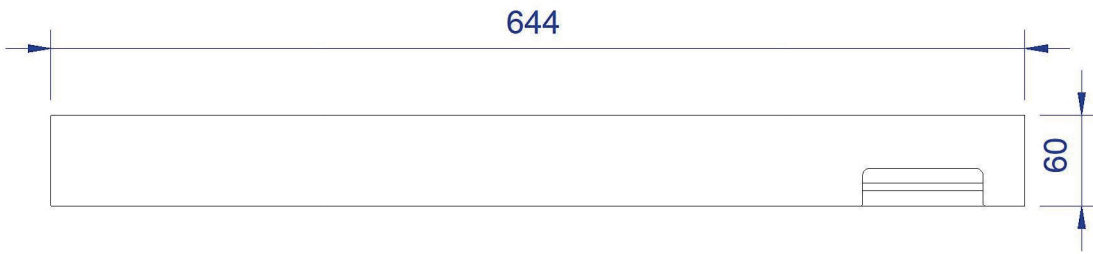
 FAIR FIRES	File Name: Front Afwerklijst met snuit 1 ligger.icd	Created Date:	
	Checked by: ... Approved by: ...	Sheet No: 1 (1)	Rev. ...
		Doc. No:	



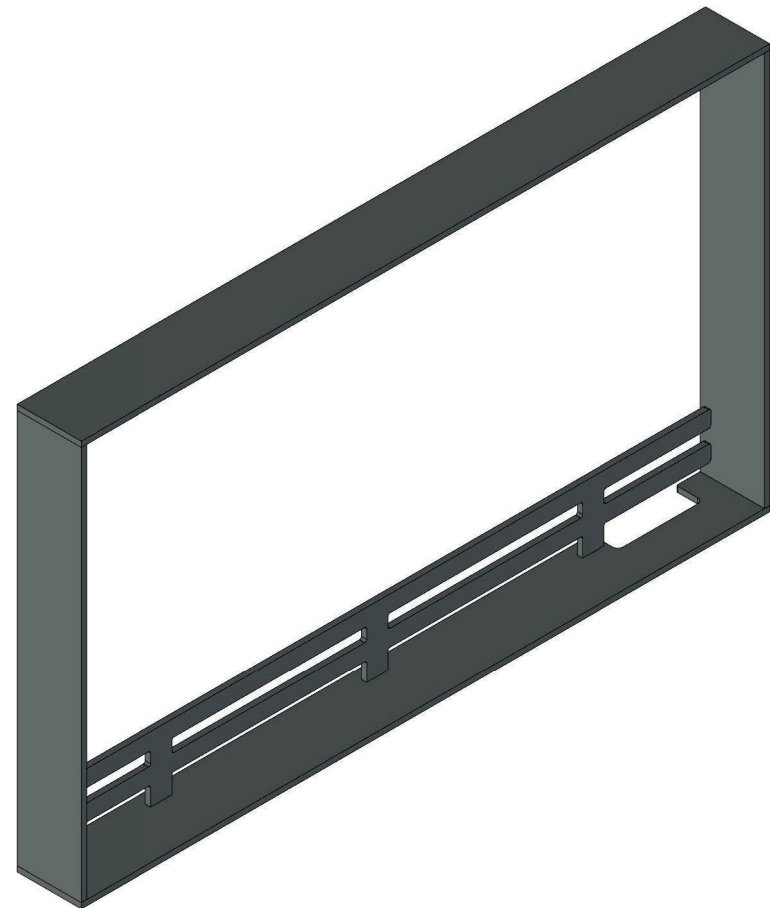
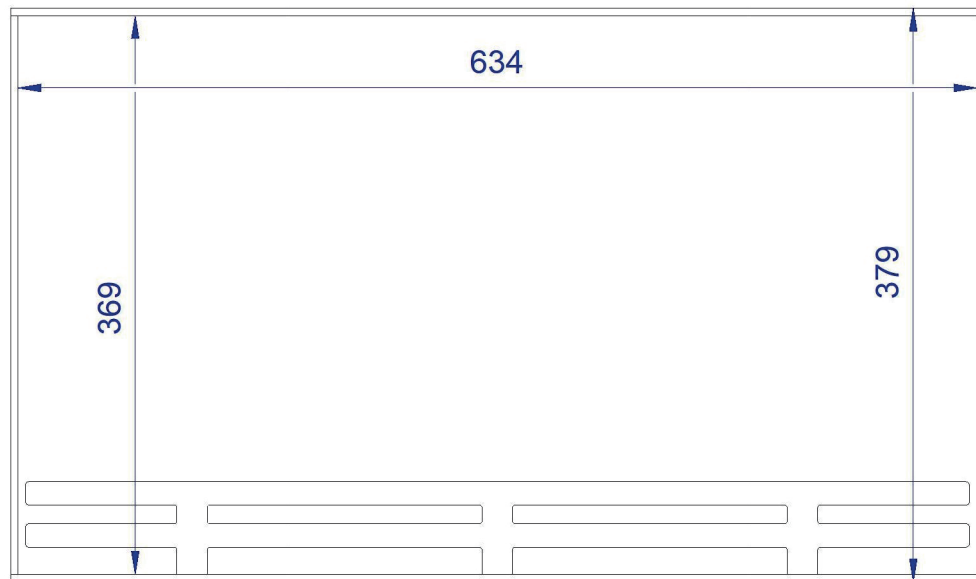
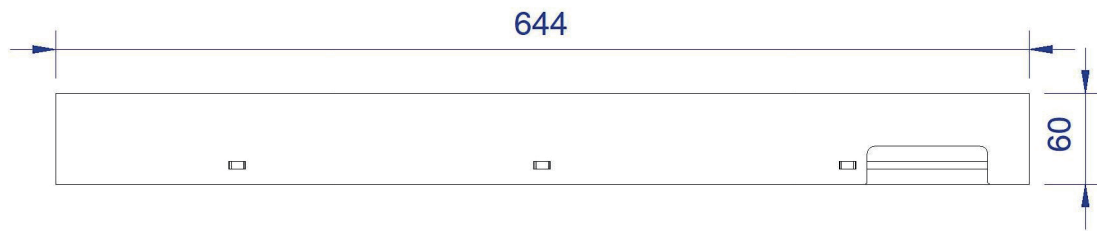
 FAIR FIRES	File Name: Front Afwerklijst met snuit 2 liggers.icd	Created Date:	
	Checked by: ... Approved by: ...	Sheet No: 1 (1)	Rev. ...
		Doc. No:	




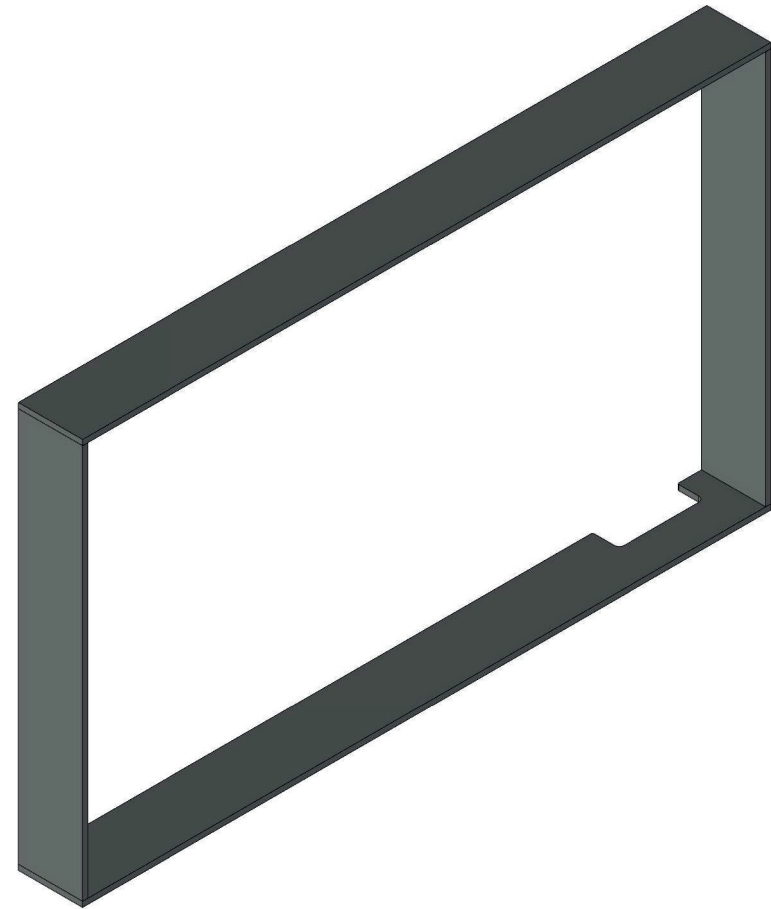
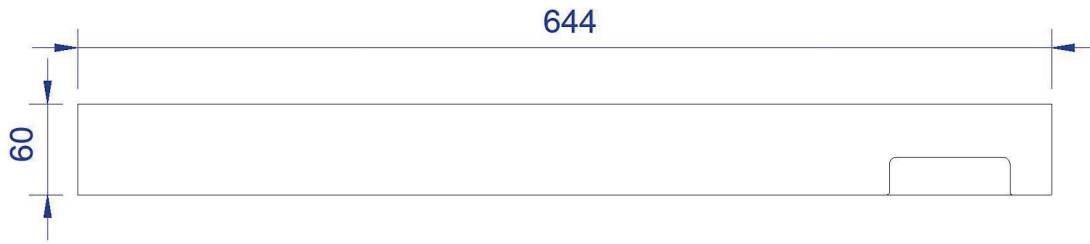
 FAIR FIRES	File Name: Front Afwerklijst.icd	Created Date:	
	Checked by: ...	Approved by: ...	Sheet No: 1 (1)
			Rev. ...
		Doc. No:	




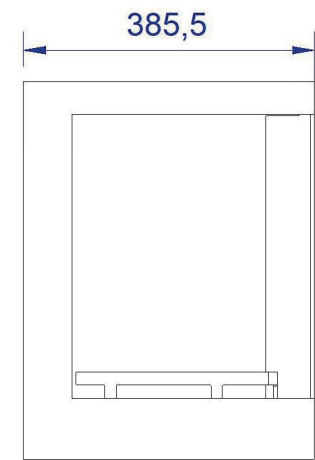
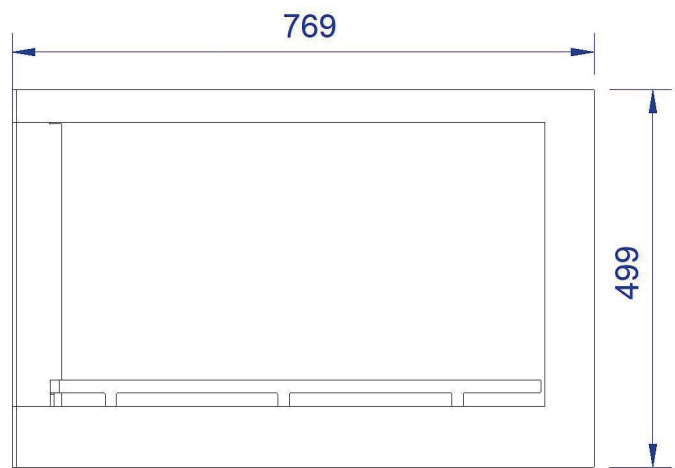
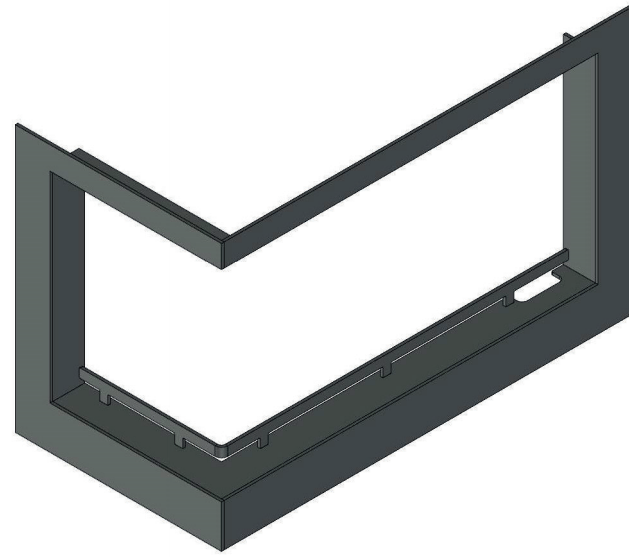
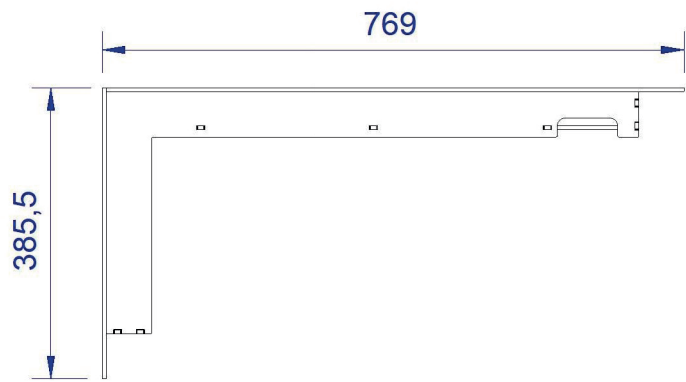
 FAIR FIRES	File Name: Front Verdiept inbouwkader 1 ligger.icd	Created Date:
	Checked by: ... Approved by: ...	Sheet No: 1 (1)
		Doc. No:




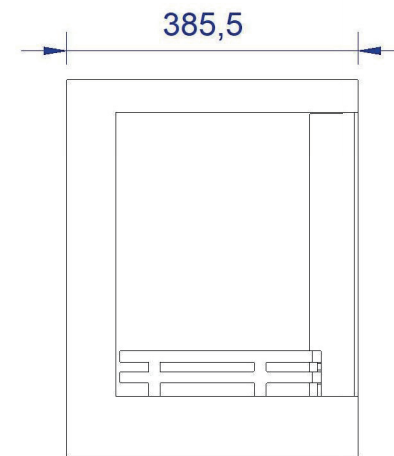
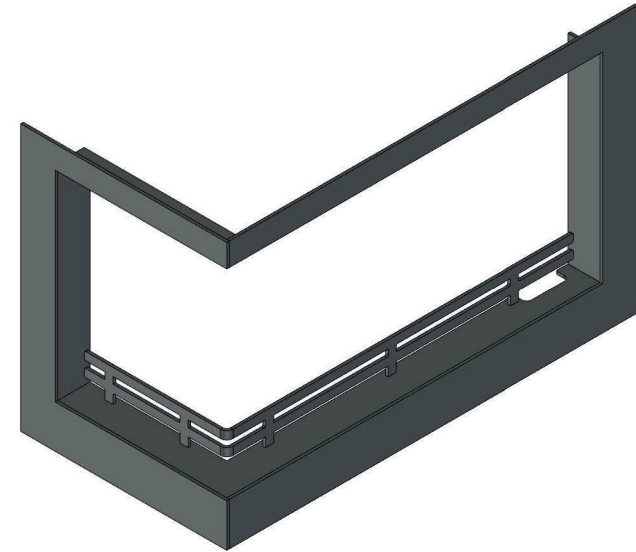
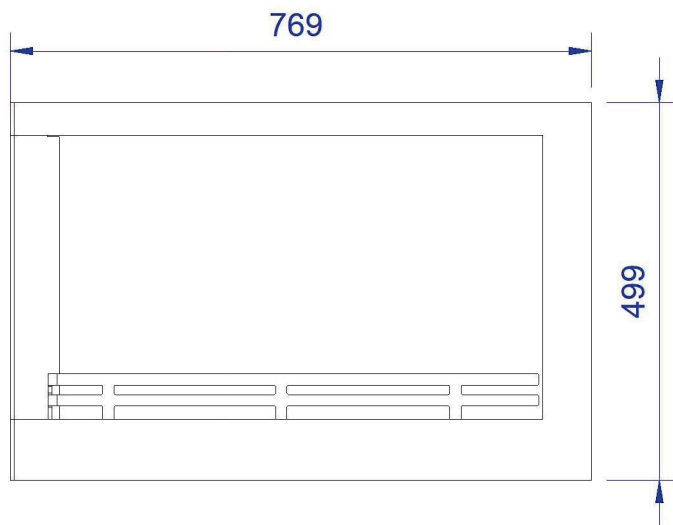
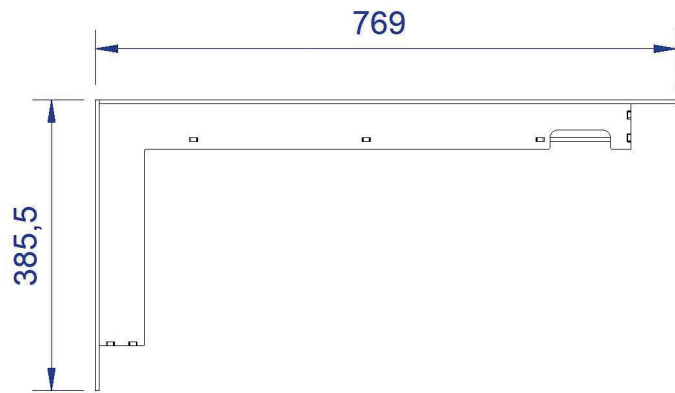
 FAIR FIRES	File Name: Front Verdiept inbouwkader 2 liggers.icd	Created Date:	
	Checked by: ... Approved by: ...	Sheet No: 1 (1)	Rev. ...
		Doc. No:	



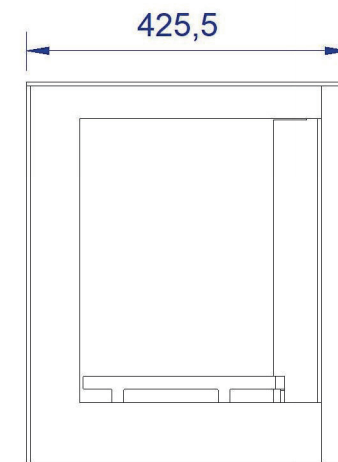
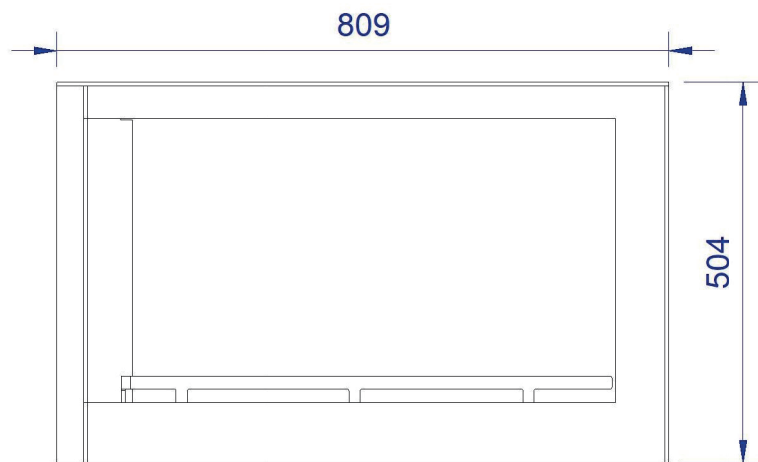
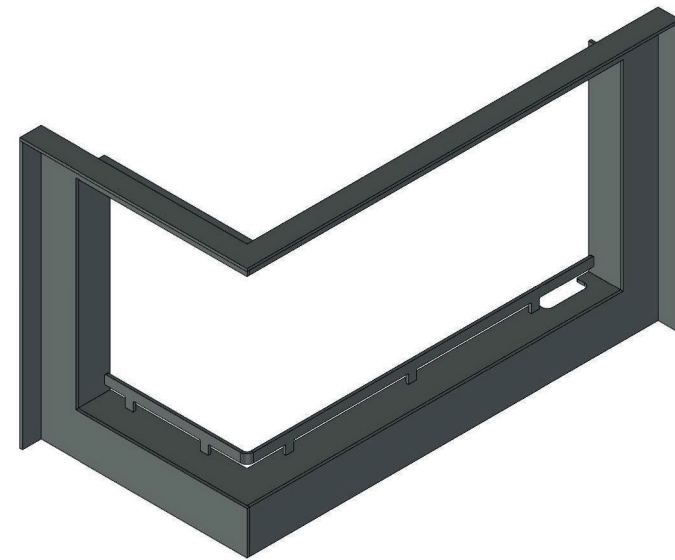
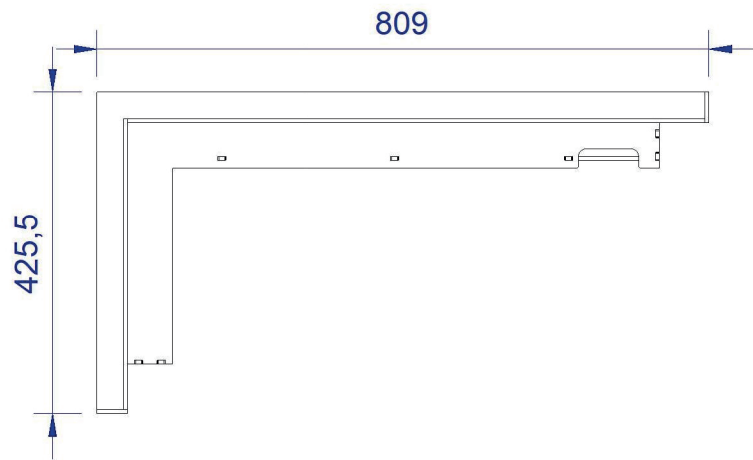
 FAIR FIRES	File Name: Front Verdiept inbouwkader.icd	Created Date:	
	Checked by: ... Approved by: ...	Sheet No: 1 (1)	Rev. ...
		Doc. No:	




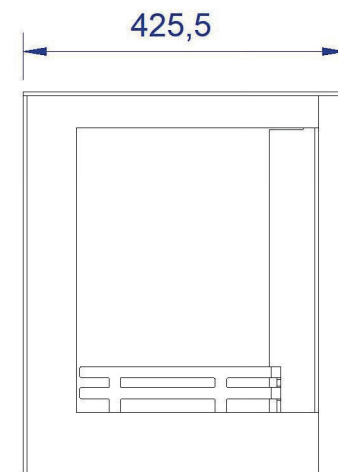
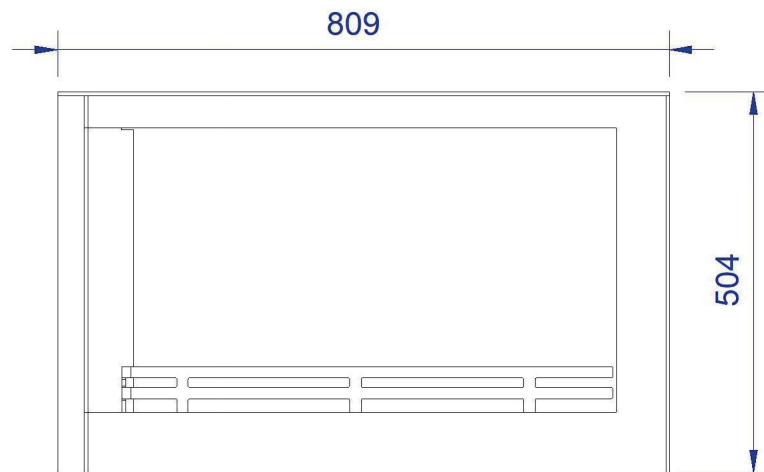
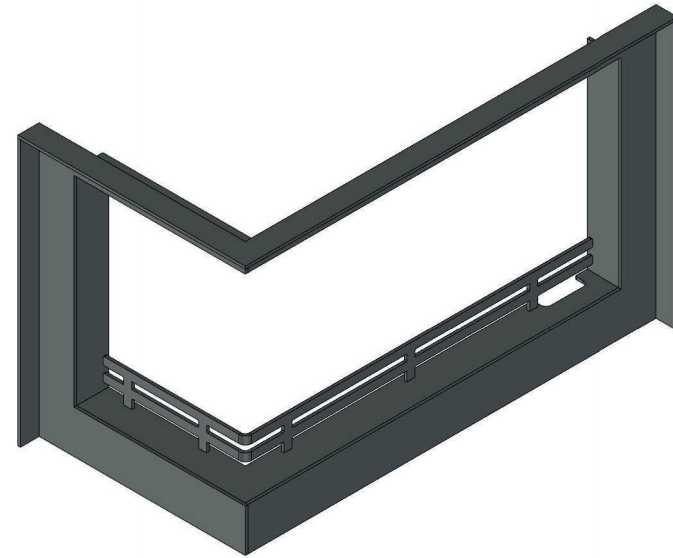
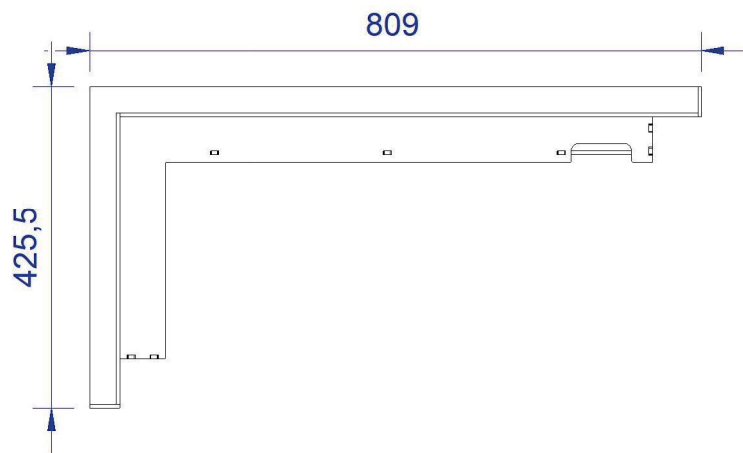
 FAIR FIRES	File Name: Links open Afwerklijst 1 ligger.icd	Created Date:	
	Checked by: ... Approved by: ...	Sheet No: 1 (1)	Rev. ...




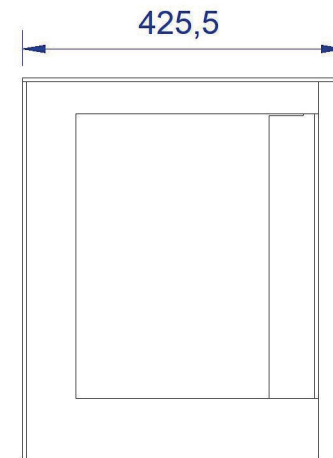
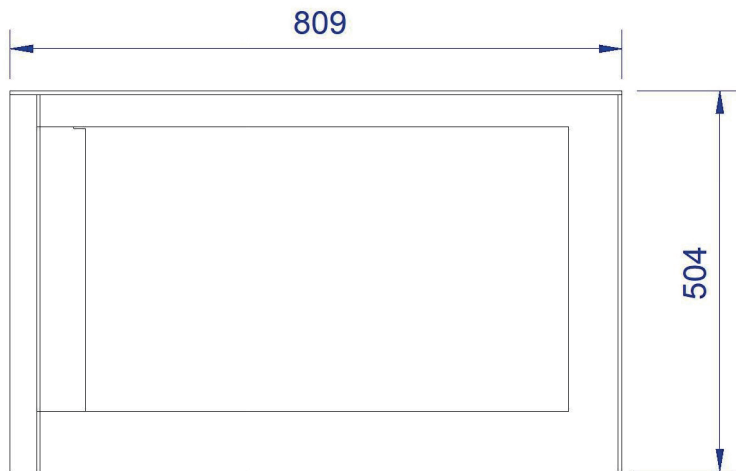
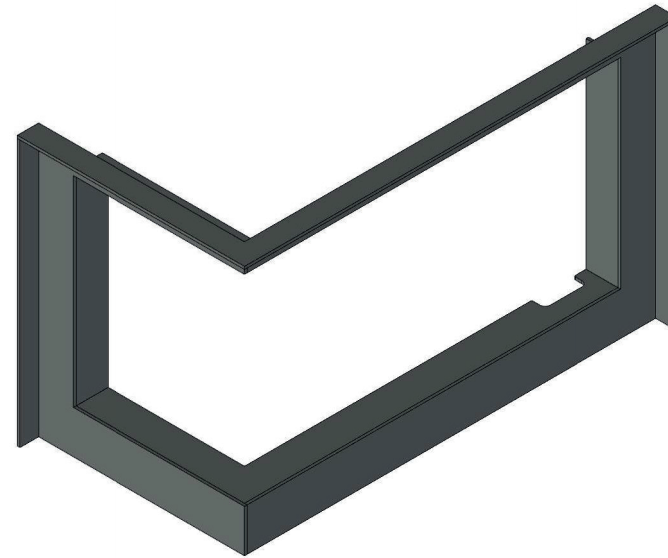
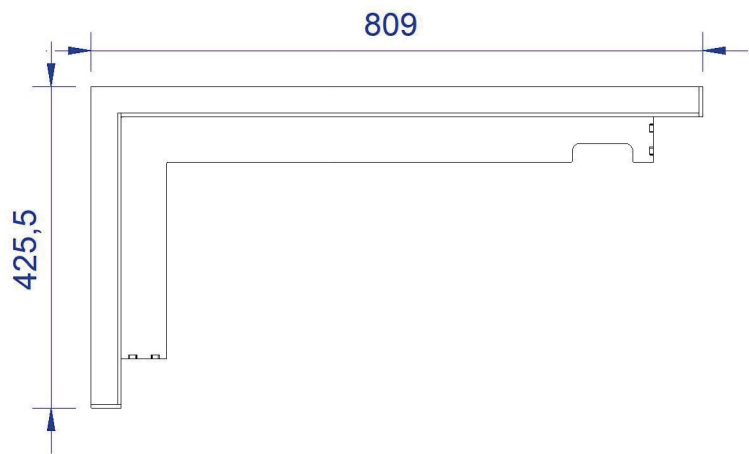
 FAIR FIRES	File Name: Links open Afwerklijst 2 ligger.icd	Created Date:	
	Checked by: ... Approved by: ...	Sheet No: 1 (1)	Rev. ...
		Doc. No:	



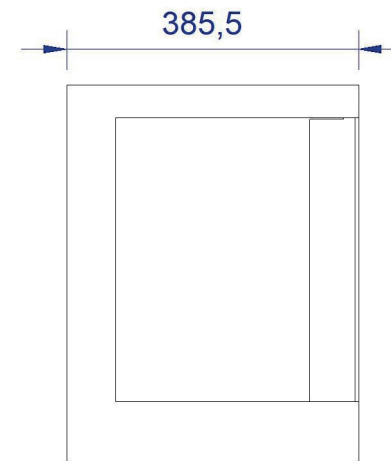
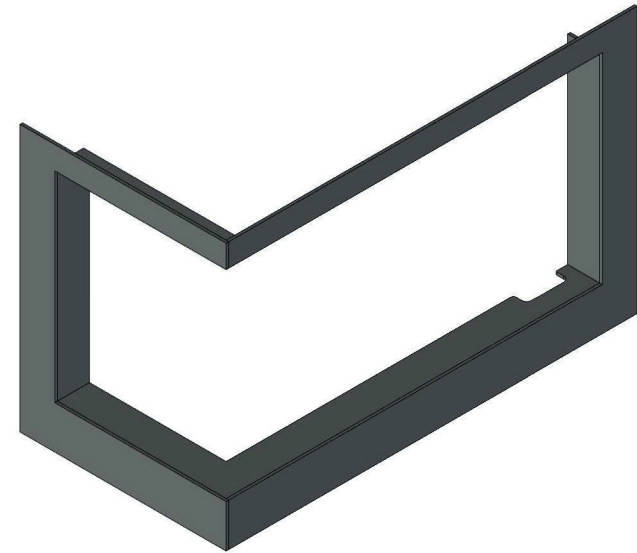
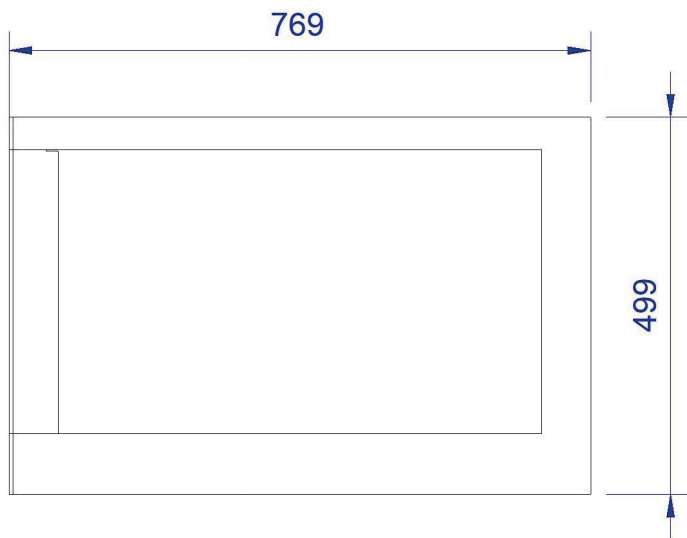
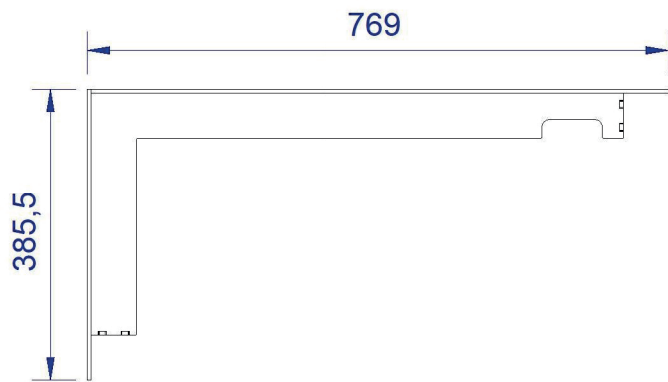
	File Name: Links open Afwerklijst snuit 1 ligger.icd	Created Date:	
	Checked by: ... Approved by: ...	Sheet No: 1 (1)	Rev. ...
		Doc. No:	




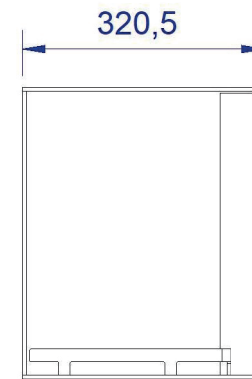
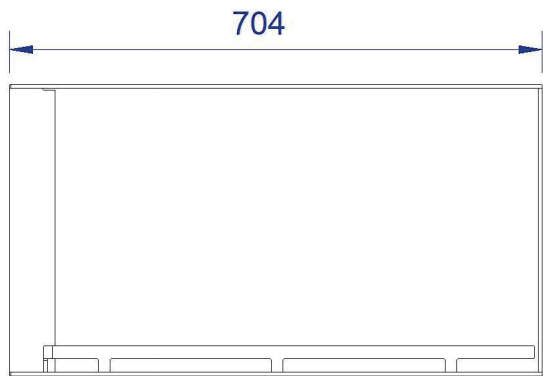
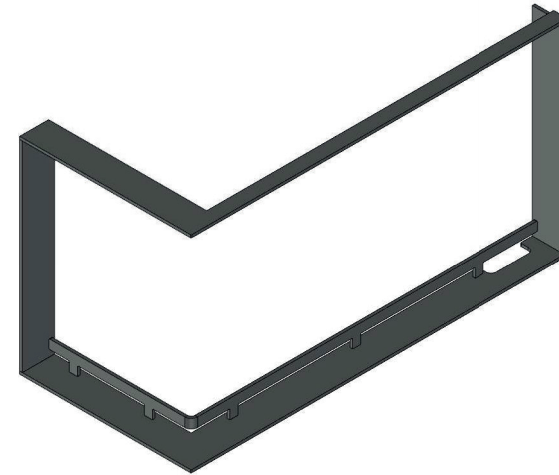
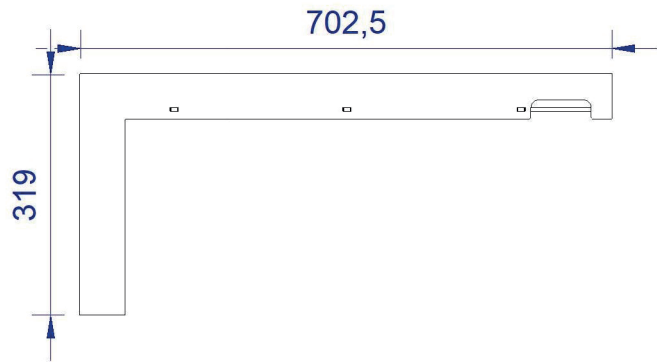
 FAIR FIRES	File Name: Links open Afwerklijst snuit 2 liggers.icd	Created Date:	
	Checked by: ... Approved by: ...	Sheet No: 1 (1)	Rev. ...
		Doc. No:	



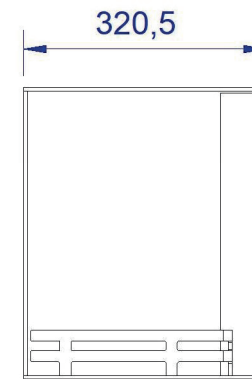
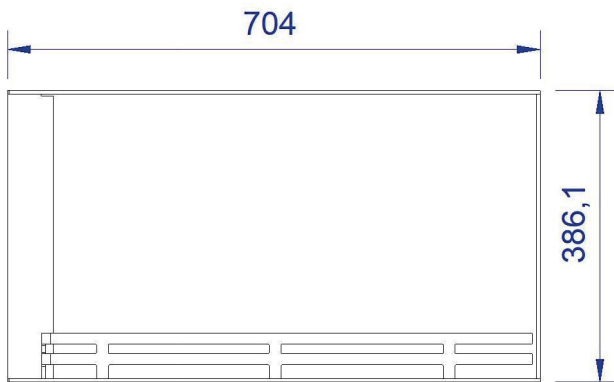
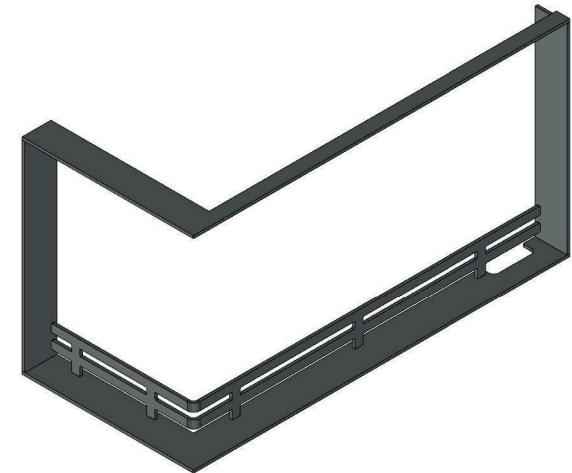
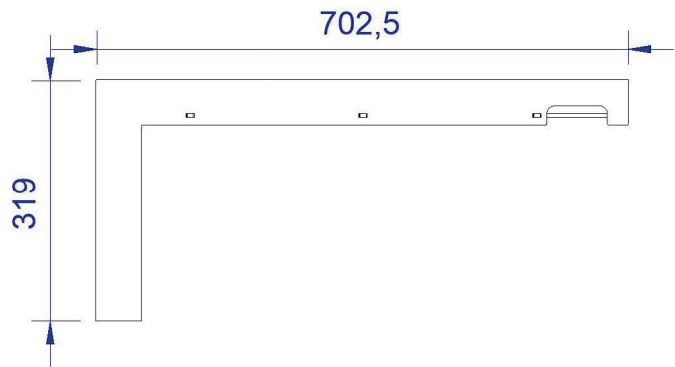
 FAIR FIRES	File Name: Links open Afwerklijst snuit.icd	Created Date:	
	Checked by: ... Approved by: ...	Sheet No: 1 (1)	Rev. ...
		Doc. No:	



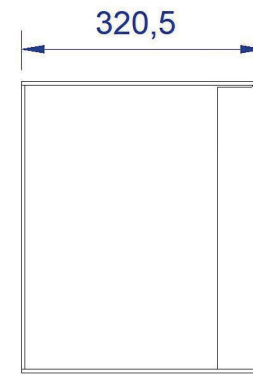
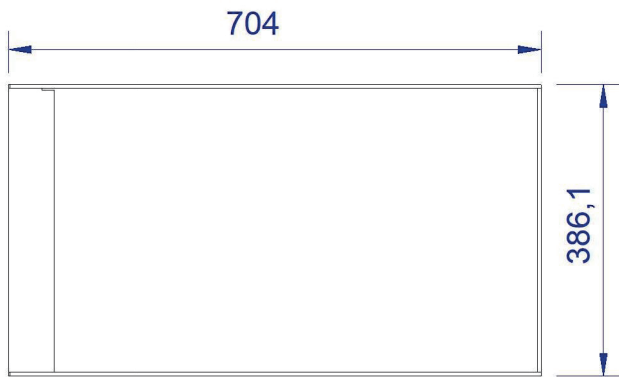
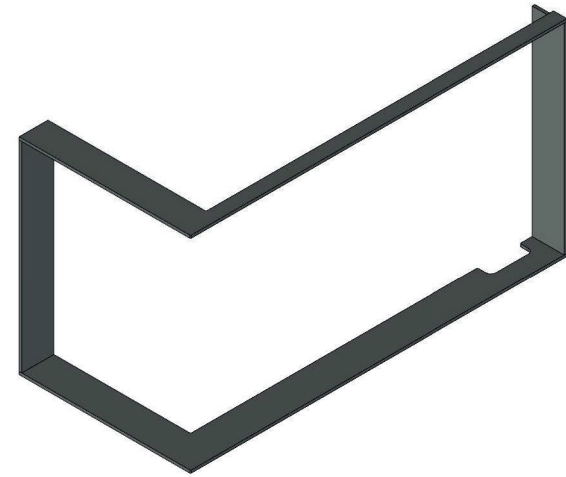
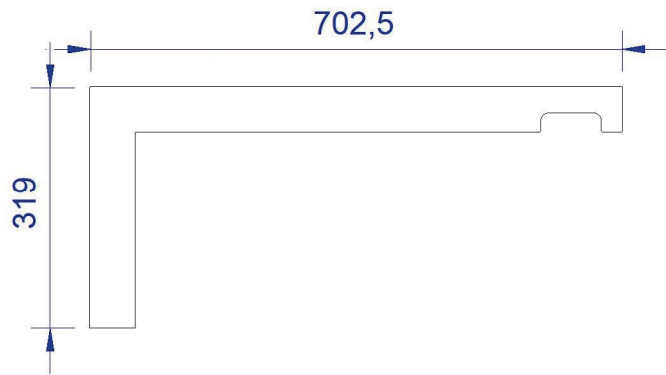
 FAIR FIRES	File Name: Links open Afwerklijst.icd	Created Date:	
	Checked by: ... Approved by: ...	Sheet No: 1 (1)	Rev. ...
		Doc. No:	



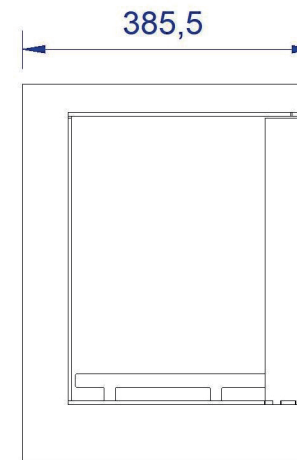
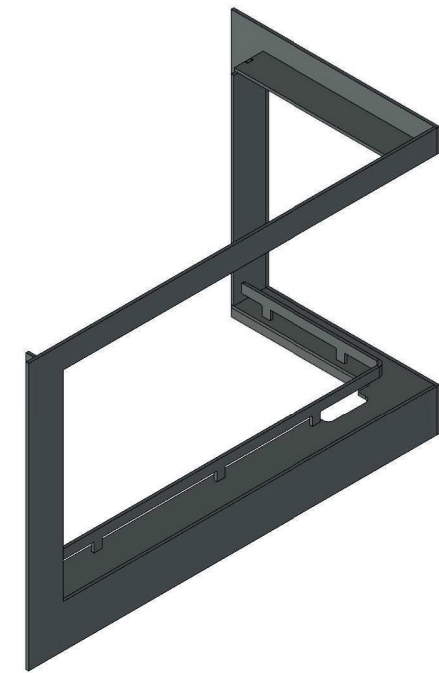
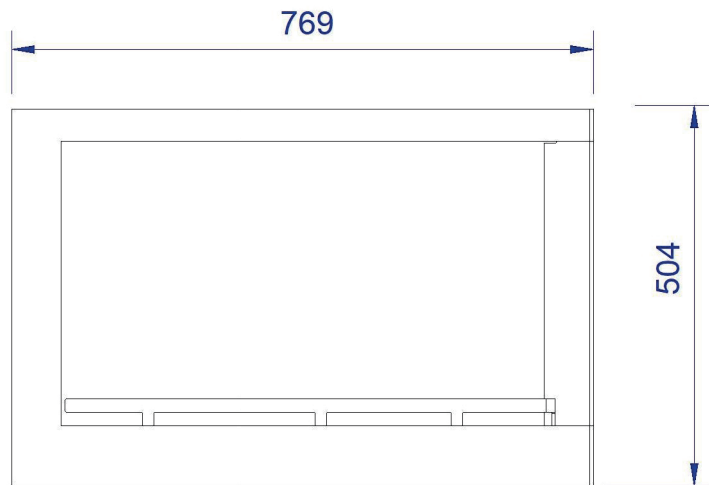
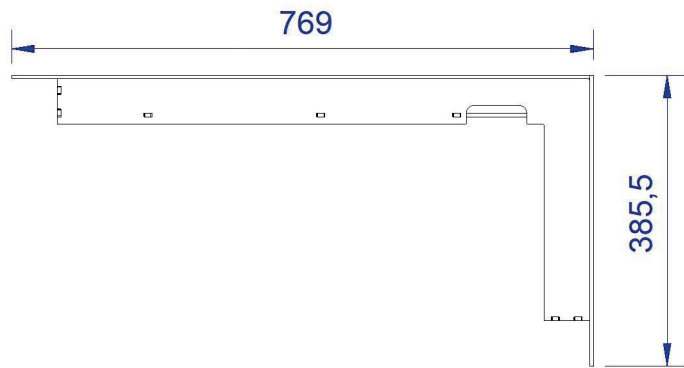
	File Name: Links open Verdiept inbouwkader 1 ligger.icd	Created Date:	
	Checked by: ... Approved by: ...	Sheet No: 1 (1)	Rev. ...
		Doc. No:	




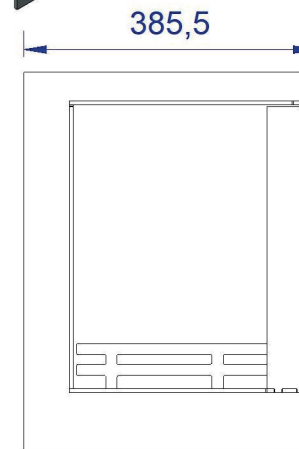
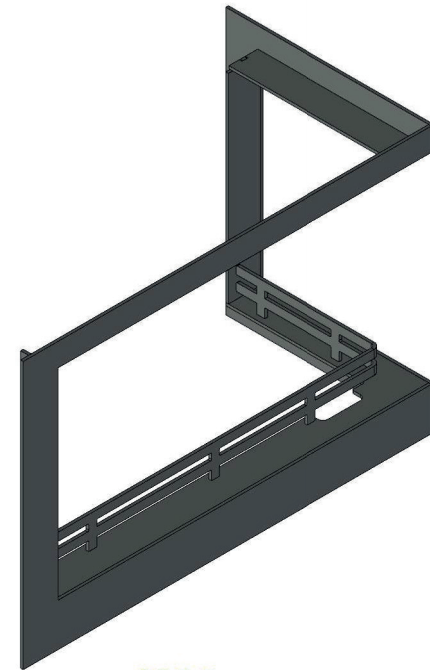
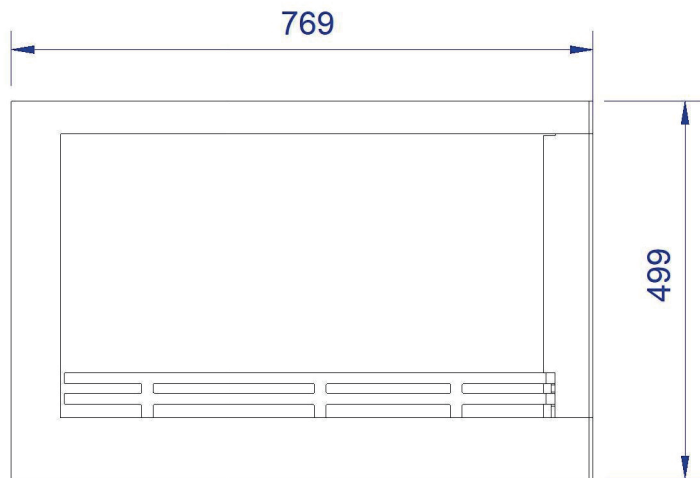
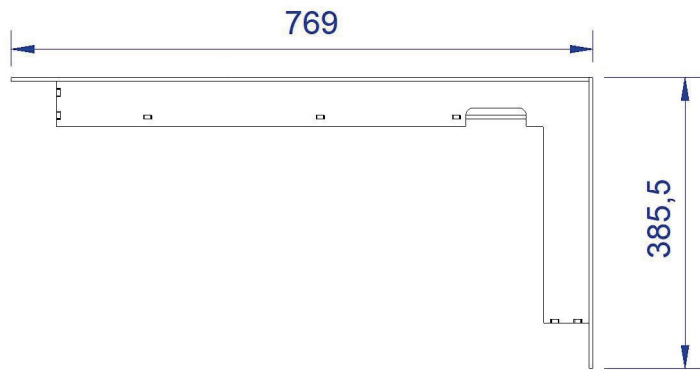
 FAIR FIRES	File Name: Links open Verdiept inbouwkader 2 liggers.icd	Created Date:	
	Checked by: ... Approved by: ...	Sheet No: 1 (1)	Rev. ...
		Doc. No:	




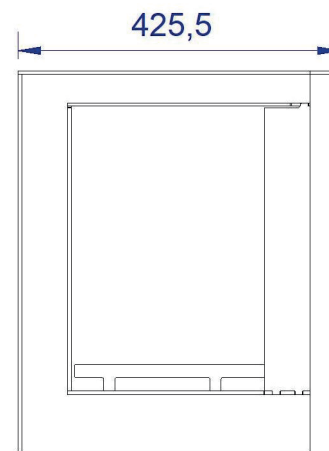
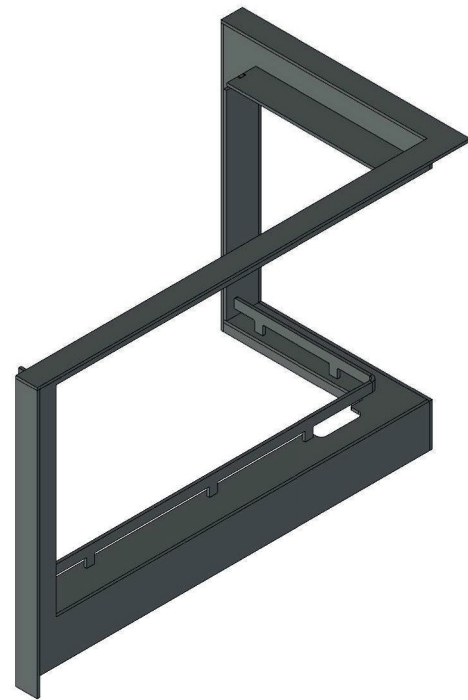
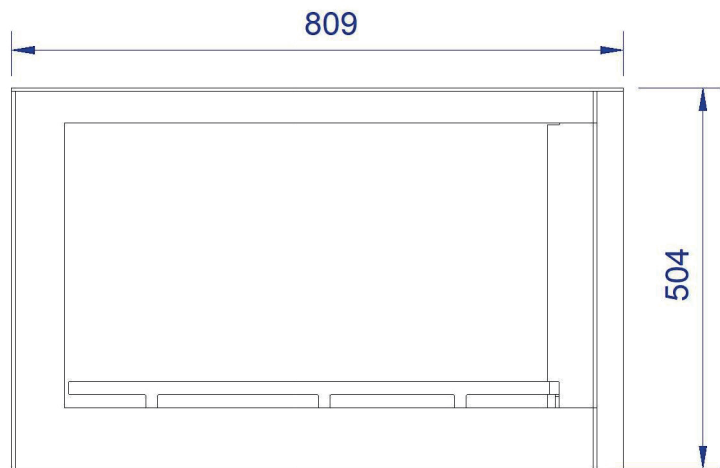
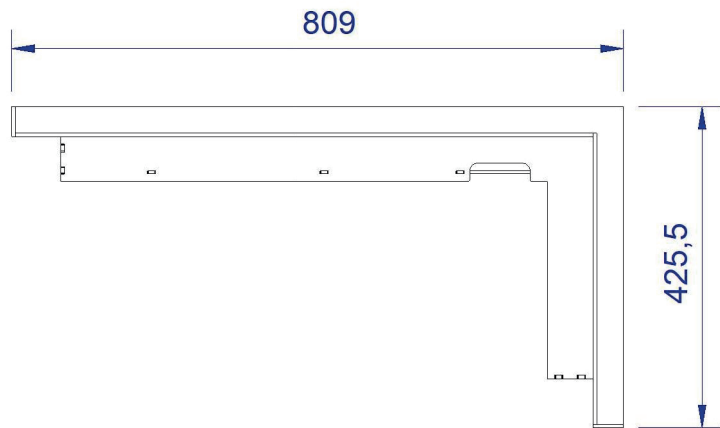
 FAIR FIRES	File Name: Links open Verdiept inbouwkader.icd	Created Date:	
	Checked by: ... Approved by: ...	Sheet No: 1 (1)	Rev. ...
		Doc. No:	




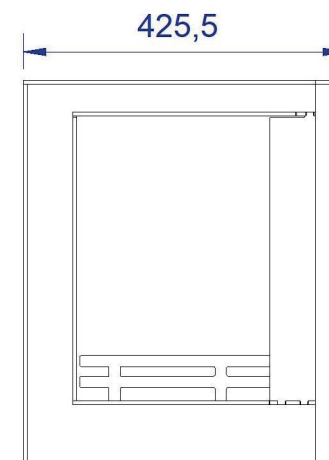
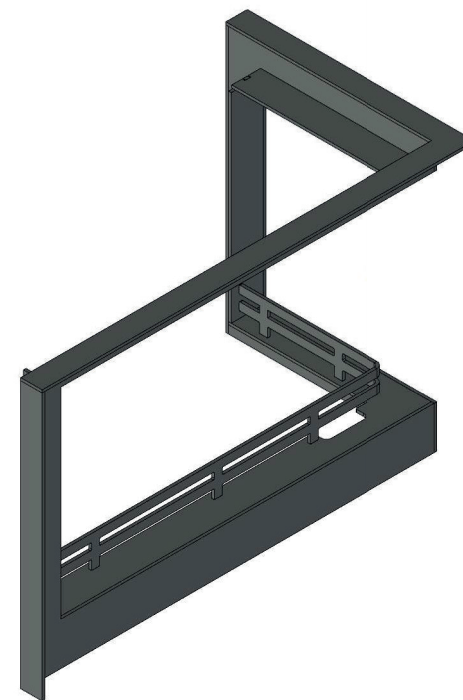
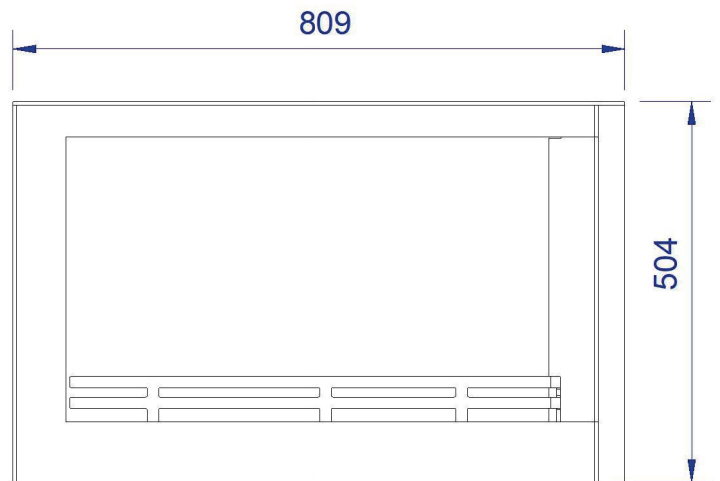
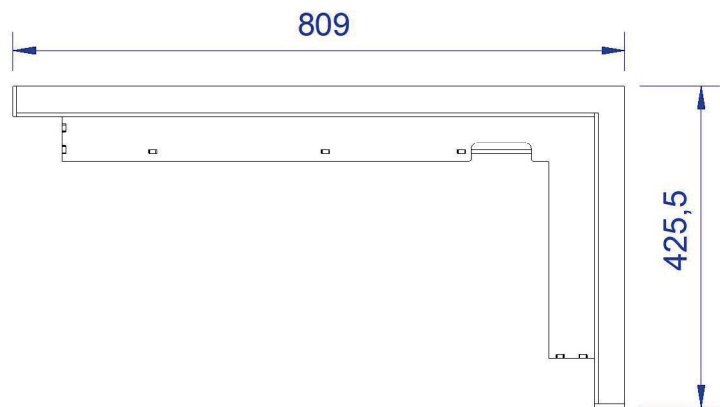
 FAIR FIRES	File Name: Rechts open Afwerklijst 1 ligger.icd	Created Date:	
	Checked by: ... Approved by: ...	Sheet No: 1 (1)	Rev. ...
		Doc. No:	




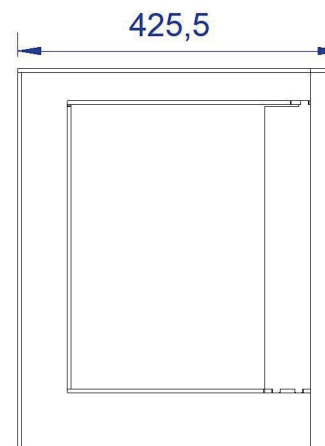
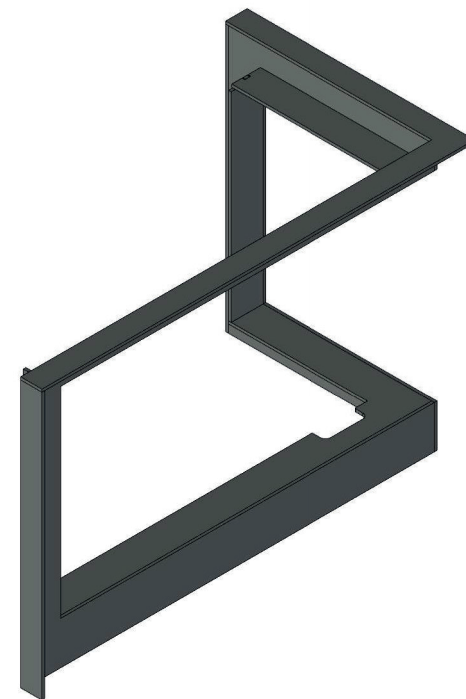
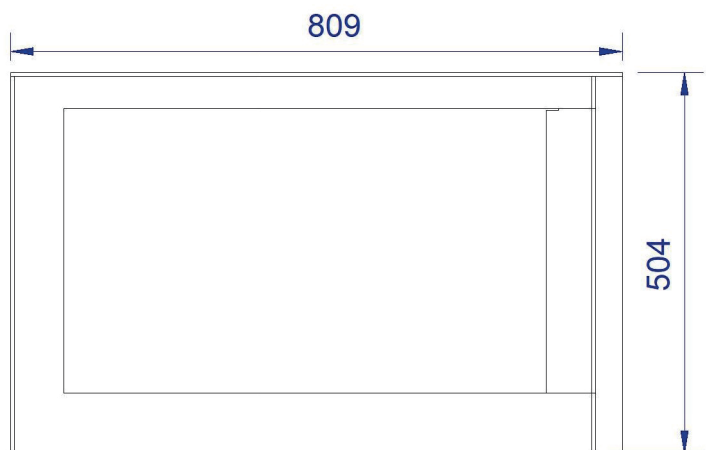
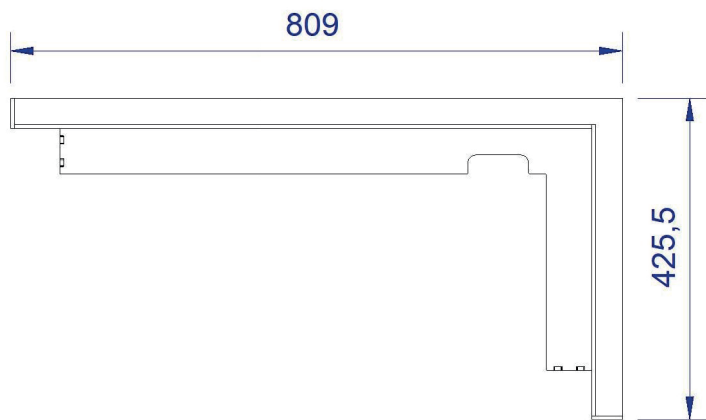
 FAIR FIRES	File Name: Rechts open Afwerklijst 2 liggers.icd	Created Date:	
	Checked by: ... Approved by: ...	Sheet No: 1 (1)	Rev. ...
		Doc. No:	



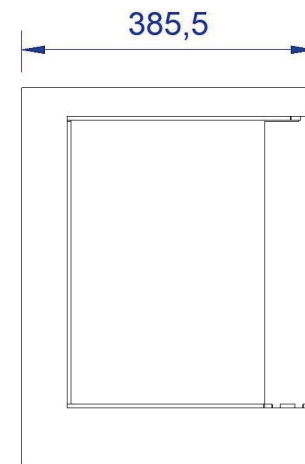
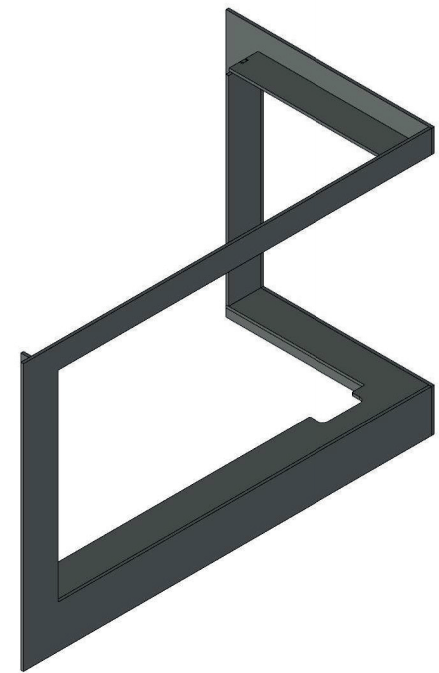
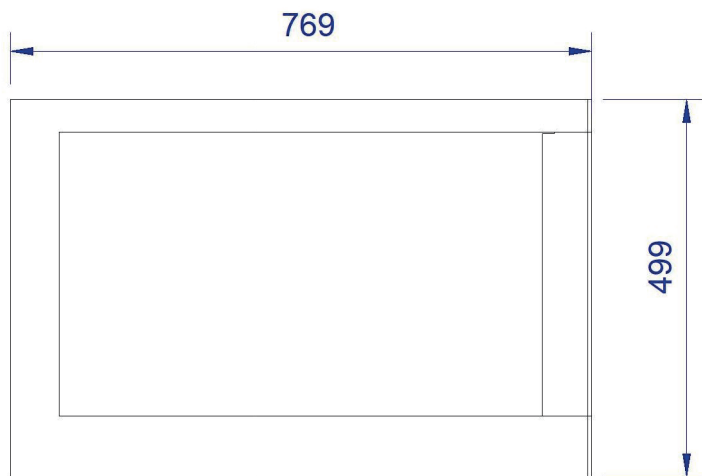
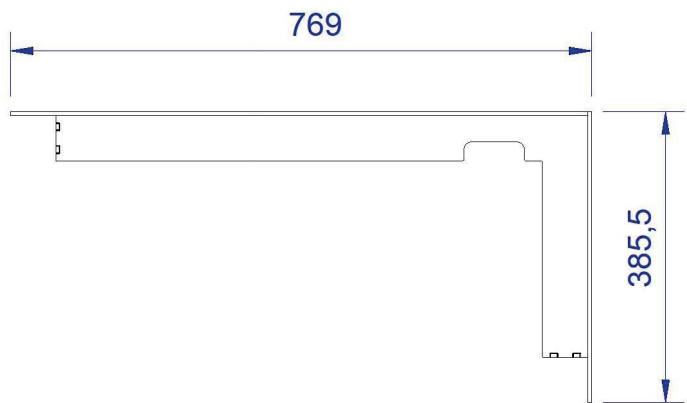
 FAIR FIRES	File Name: Rechts open Afwerklijst snuit 1 ligger.icd	Created Date:	
	Checked by: ... Approved by: ...	Sheet No: 1 (1)	Rev. ...




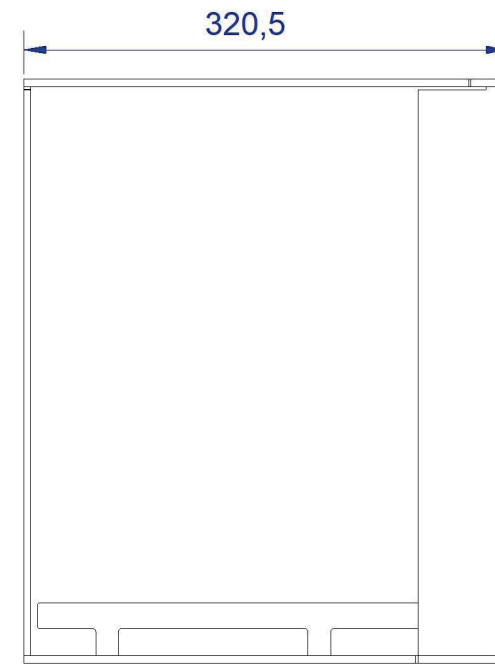
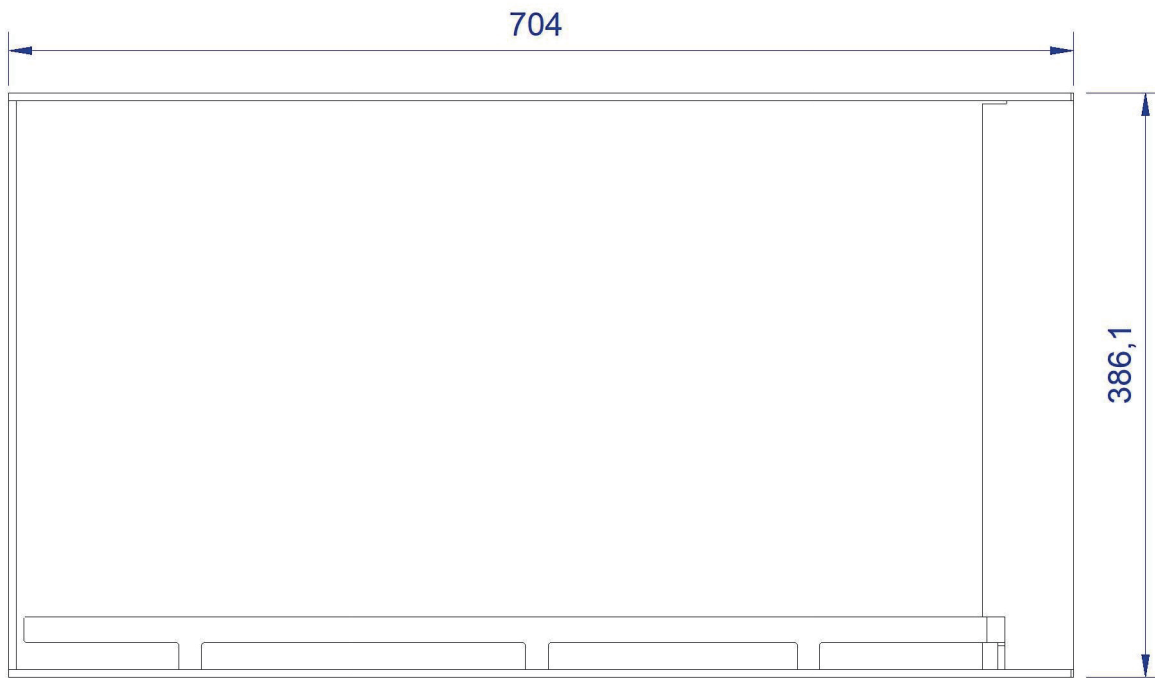
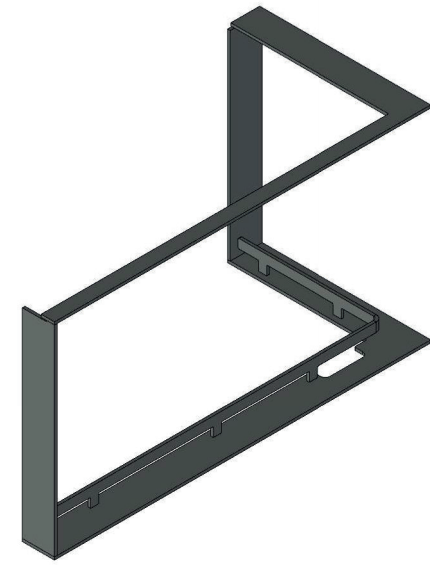
 FAIR FIRES	File Name: Rechts open Afwerklijst snuit 2 liggers.icd	Created Date:	
	Checked by: ... Approved by: ...	Sheet No: 1 (1)	Rev. ...
		Doc. No:	



 FAIR FIRES	File Name: Rechts open Afwerklijst snuit.icd	Created Date:	
	Checked by: ... Approved by: ...	Sheet No: 1 (1)	Rev. ...
		Doc. No:	



 FAIR FIRES	File Name: rechts open Afwerklijst.icd	Created Date:	
	Checked by: ... Approved by: ...	Sheet No: 1 (1)	Rev. ...
		Doc. No:	



Created Date:

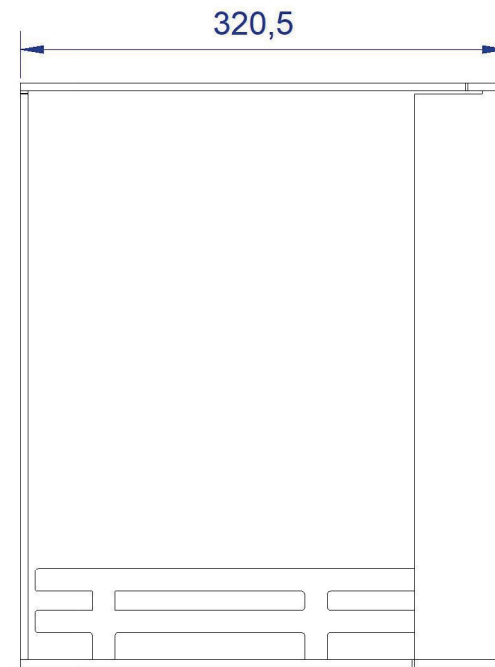
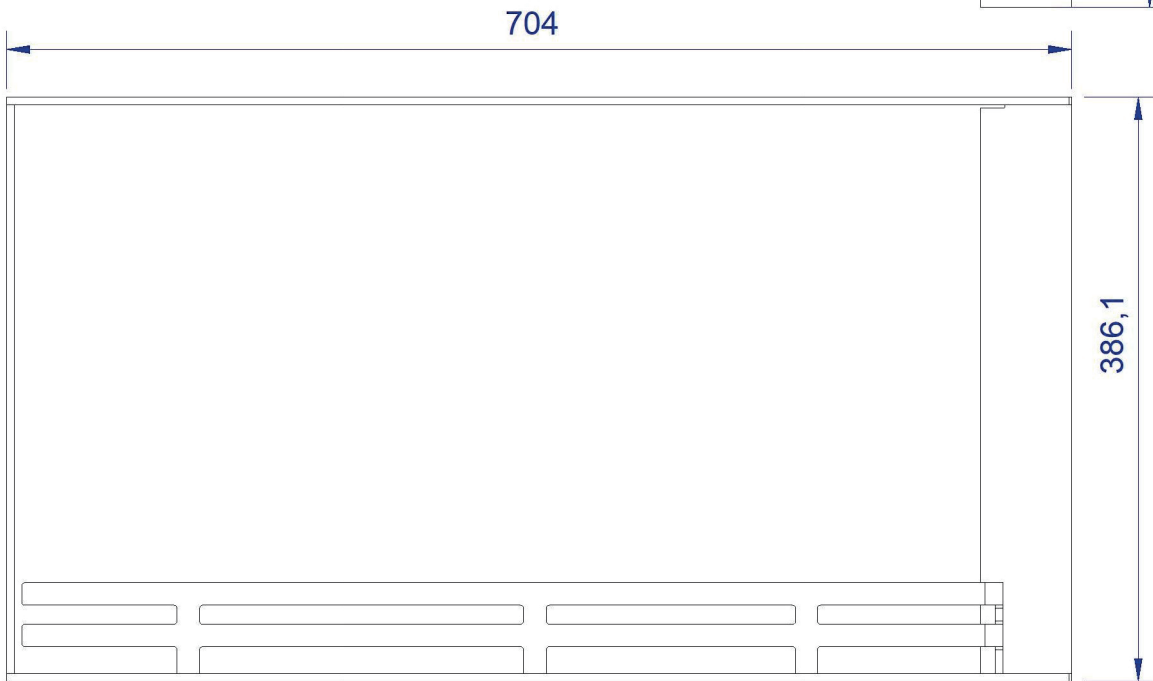
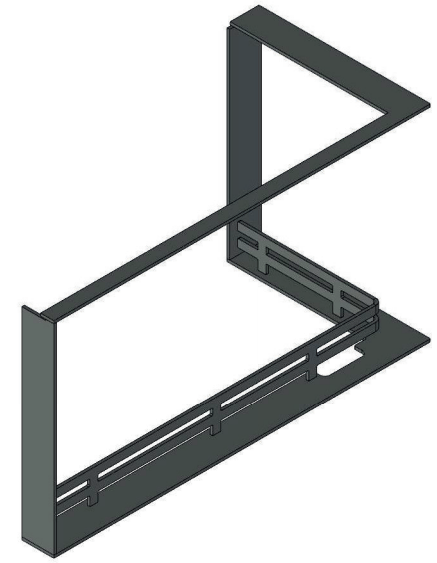
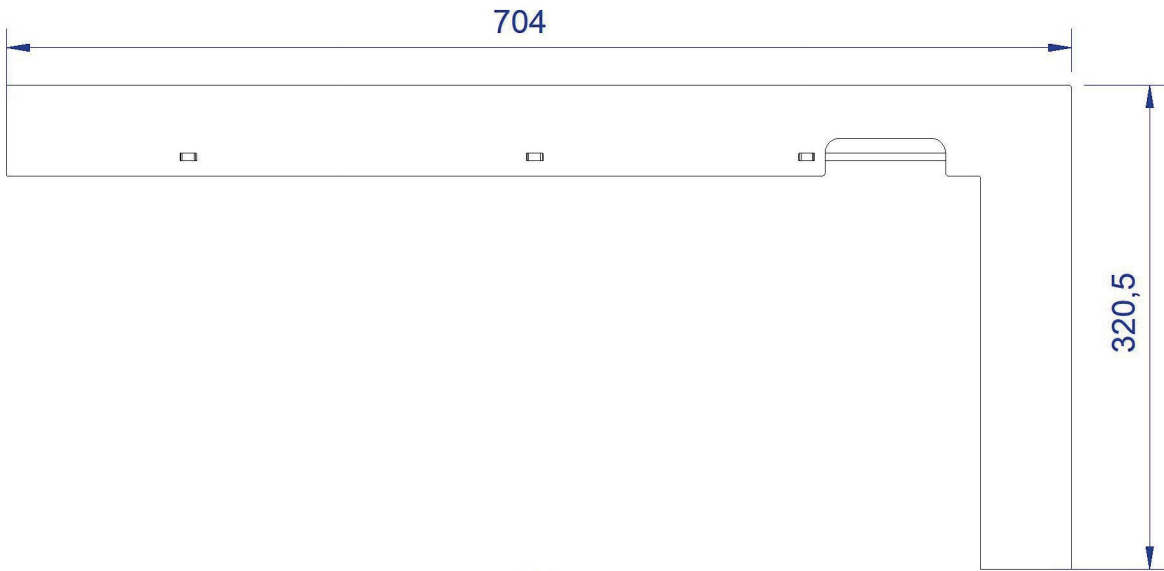


File Name: **rechts open Verdiept
inbouwkader 1 ligger.icd**

Checked by: ...
Approved by: ...

Sheet No: **1 (1)**
Rev. ...

Doc. No:



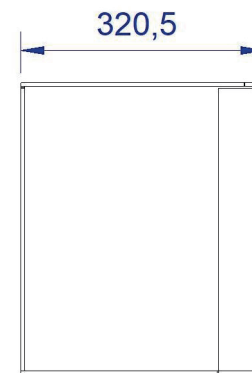
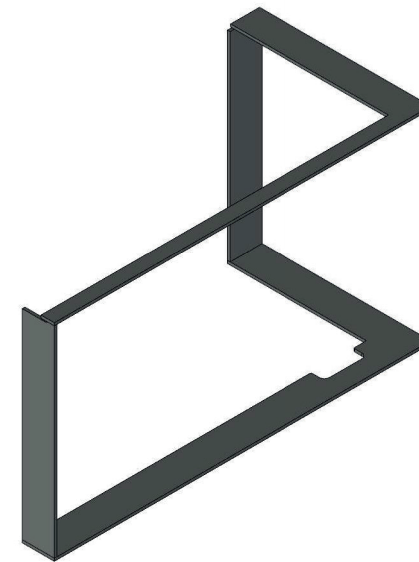
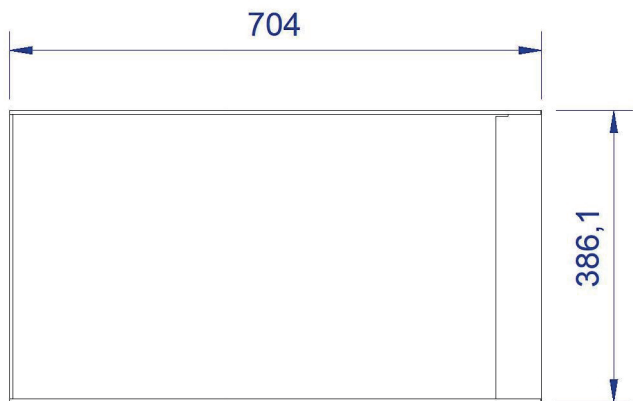
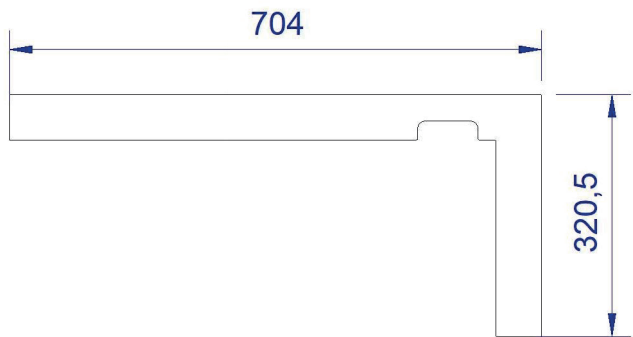
Created Date:	
Sheet No:	Rev.
1 (1)	...
Doc. No:	



FAIR FIRES

File Name: **Rechts open Verdiept
inbouwkader 2 liggers.icd**

Checked by: ... Approved by: ...



 FAIR FIRES	File Name: rechts open lijst Verdiept inbouwkader.icd	Created Date:	
	Checked by: ... Approved by: ...	Sheet No: 1 (1)	Rev. ...
		Doc. No:	